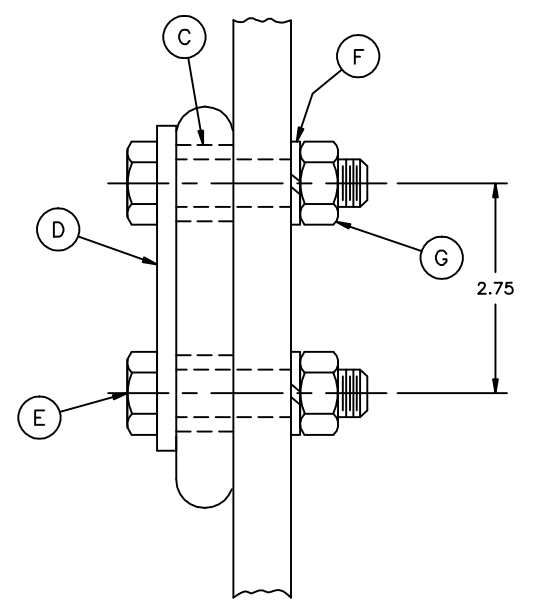


ITEM	PART	DESCRIPTION	U/M	QTY. PER ASS'Y			
A	60064-3001	CLAMP, JUMPER SUSP, ALUM	EA	-	-	2	-
B	1059170000	STRAP, GS M 9714 2	EA	1	-	-	-
C	271629-4001	BUSHING, ALUMINUM 0.96 X 0.66 X 0.69L	EA	2	2	2	2
D	273170-4001	PLATE, BOLT, ALUMINUM	EA	1	1	1	1
E	1019850000	BOLT, HH GS 5/8-11 X 2 3/4	EA	2	2	2	2
F	1077500000	WASHER, GS 5/8 LOCK 5/8	EA	2	2	2	2
G	1043530000	NUT, GS 5/8-11 M-1169 ITEM# 8	EA	2	2	2	2
H	97642-3002	CLAMP, JUMPER SUSP, ALUM	EA	2	-	-	-
J	97642-3003	CLAMP, JUMPER SUSP, ALUM	EA	-	2	-	-
K	PSP1714330000	STRAP, GS M 9714 4	EA	-	1	1	-
L	JLC248	CLAMP, JUMPER SUSP, ALUM	EA	-	-	-	2
M	PSP1717880000	STRAP, GS M 9714 5	EA	-	-	-	1

SHIP ASSEMBLED

271724-3001	271725-3001	271726-3001	JLC24818275
CATALOG NUMBER			



CATALOG NO.	CLAMPING RANGE (DIAMETERS)
271724-3001	1.00 - 1.40 DIA.
271725-3001	1.40 - 1.60 DIA.
271726-3001	1.60 - 2.00 DIA.
JLC24818275	2.00 - 2.48 DIA.

TO ENSURE CORONA FREE OPERATION INSTALL END THREADS OF BOLT TOWARD INSULATOR

DIMENSIONS IN INCHES

55094	4/1/14	WJI	WJI	ANDERSON TOLERANCE CHART	HUBBELL POWER SYSTEMS
EC #	DATE	CHG BY	RESP ENG		
DESC OF DWG CHANGE STRP ON 2717253001				CONFIDENTIAL: THIS DRAWING AND ITS CONTENTS ARE CONFIDENTIAL AND THE EXCLUSIVE PROPERTY OF HUBBELL POWER SYSTEMS. NO PUBLICATION, DISTRIBUTION OR COPIES MAY BE MADE WITHOUT THE WRITTEN CONSENT OF HUBBELL POWER SYSTEMS. HUBBELL POWER SYSTEMS UNPUBLISHED. ALL RIGHTS RESERVED UNDER THE COPYRIGHT LAWS.	TITLE CLAMP, BUNDLED JUMPER ASSEMBLY
REASON (S) FOR CHANGE: -- DISPOSITION OF MAT'L: --					
SIZE		CAT / PART / ASSY NO.		REV	
C C-13550		SEE TAB.		08	
DO NOT SCALE THIS DRAWING		DRN BY BAF	DATE 3/03/11	SHEET 1 OF 1	