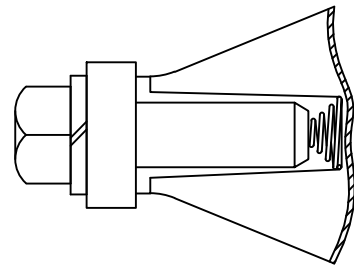


CATALOG NUMBER	FIGURE NUMBER	CONDUCTOR SIZE (DIA.)		ULTIMATE STR. LBS	APPROX. WT. EACH LBS.
		MIN	MAX		
TSCT2-150	1	.316	.563	2800	2.70
TSCT2-200	2	.642	.927	2800	3.00



ANTI STATIC SPRING (SEE SPEC. 3)

SPECIFICATIONS:

1. CLAMP BODIES AND KEEPERS ARE OF HIGH STRENGTH ALUMINUM ALLOY HEAT TREATED.
2. BOLTS AND NUTS ARE HOT-DIP GALVANIZED STEEL.
3. ANTI-STATIC SPRINGS ARE OF 302 STAINLESS STEEL AND CAN BE SUPPLIED BY ADDING "ARIV" SUFFIX TO CATALOG NUMBER.
EXAMPLE: TSCT2-150-ARIV.
4. DIMENSIONS IN INCHES.

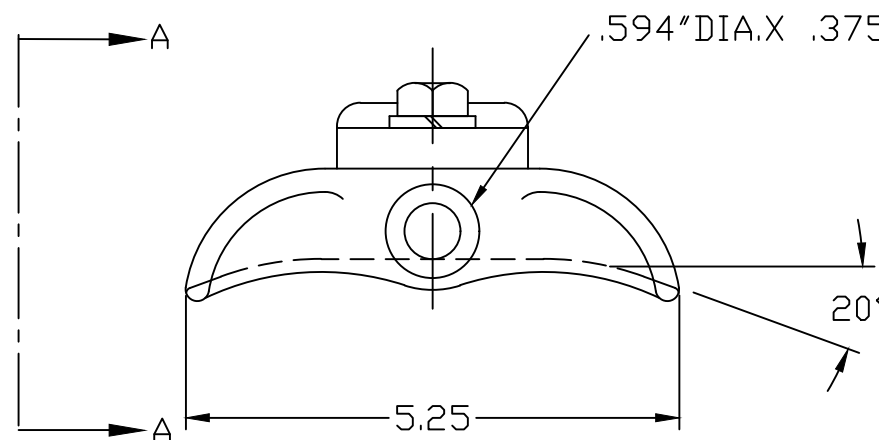
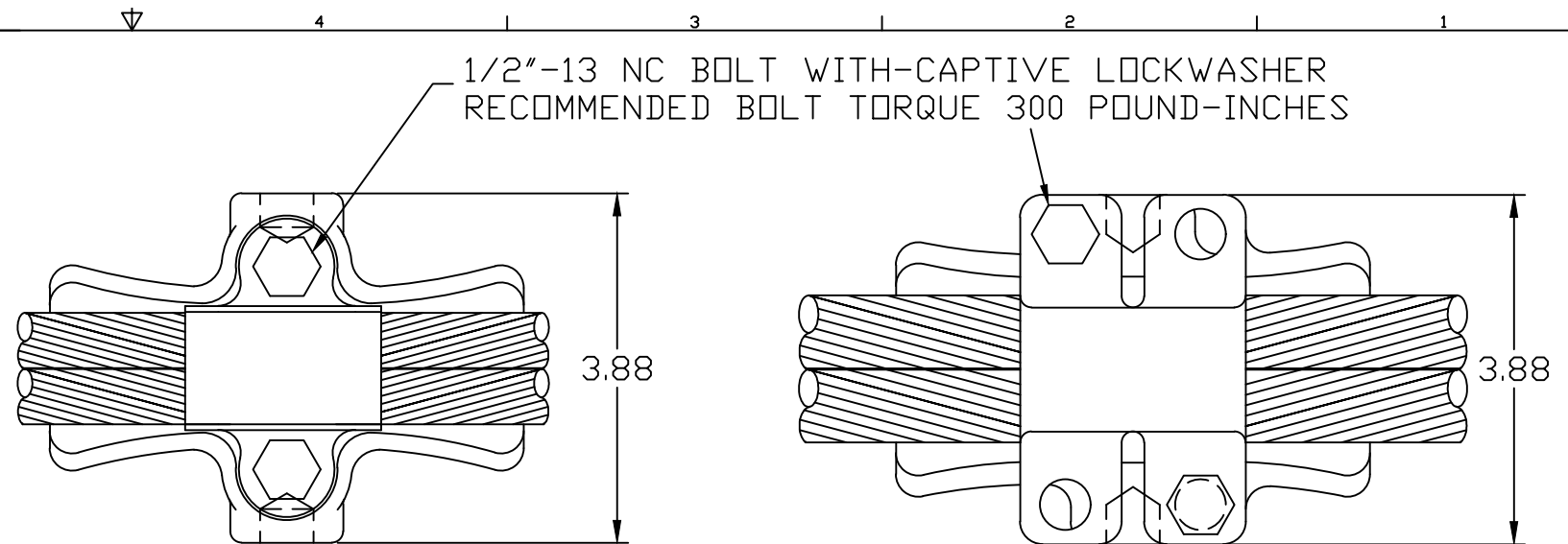


FIGURE 1

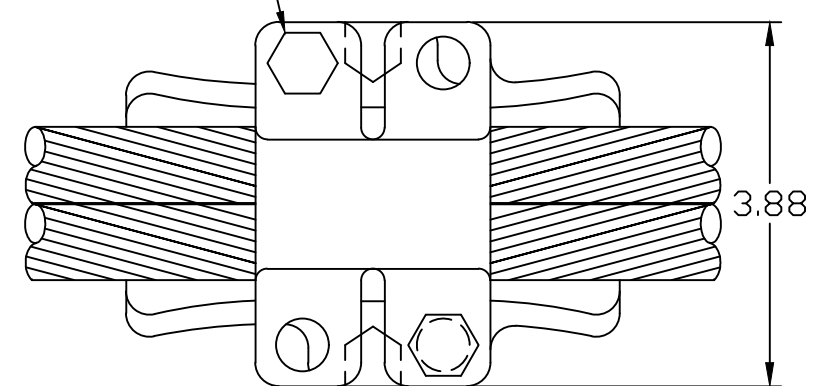
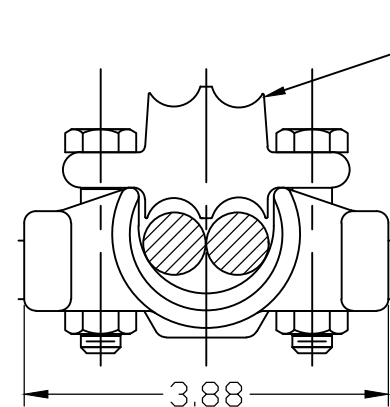
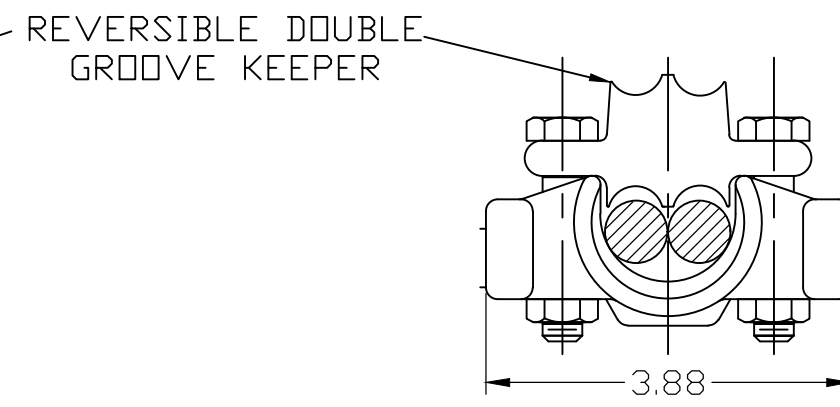


FIGURE 2



VIEW A-A



VIEW B-B

70304	7/5/17	SPR	WJI	HPS	HUBBELL® POWER SYSTEMS							
EC #	DATE	CHG BY	RESP ENG									
DESC OF DWG: REDRAWN IN AUTOCAD & UPDATED CONDUCTOR SIZE REC. TORQUE.				CONFIDENTIAL: THIS DRAWING AND ITS CONTENTS ARE CONFIDENTIAL AND THE EXCLUSIVE PROPERTY OF HUBBELL POWER SYSTEMS. NO PUBLICATION, DISTRIBUTION OR COPIES MAY BE MADE WITHOUT THE WRITTEN CONSENT OF HUBBELL POWER SYSTEMS. HUBBELL POWER SYSTEMS UNPUBLISHED ALL RIGHTS RESERVED UNDER THE COPYRIGHT LAWS.	T2-TRUNION SUSPENSION CLAMPS							
REASON (S) FOR CHANGE: -- DISPOSITION OF MAT'L: --						<table border="1"> <tr> <td>SIZE</td> <td>DWG NO.</td> <td>CAT / PART / ASSY NO.</td> <td>REV</td> </tr> <tr> <td>B</td> <td>C-14985</td> <td>SEE TAB</td> <td>3</td> </tr> </table>	SIZE	DWG NO.	CAT / PART / ASSY NO.	REV	B	C-14985
SIZE	DWG NO.	CAT / PART / ASSY NO.	REV									
B	C-14985	SEE TAB	3									
DO NOT SCALE THIS DRAWING		DRN BY BH	DATE 04-13-92	SHEET 1 OF 1								