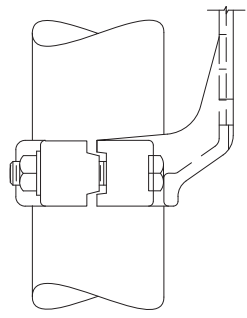
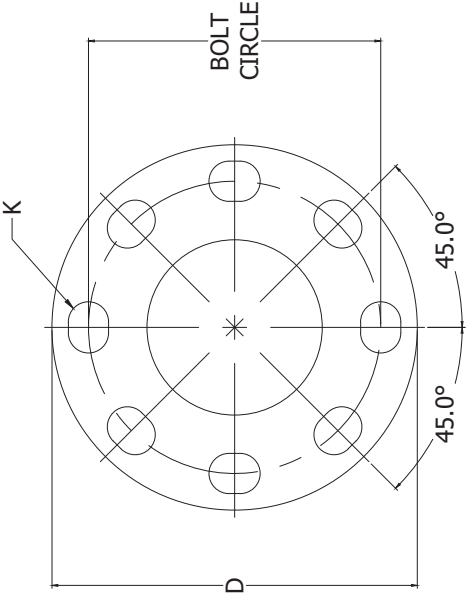


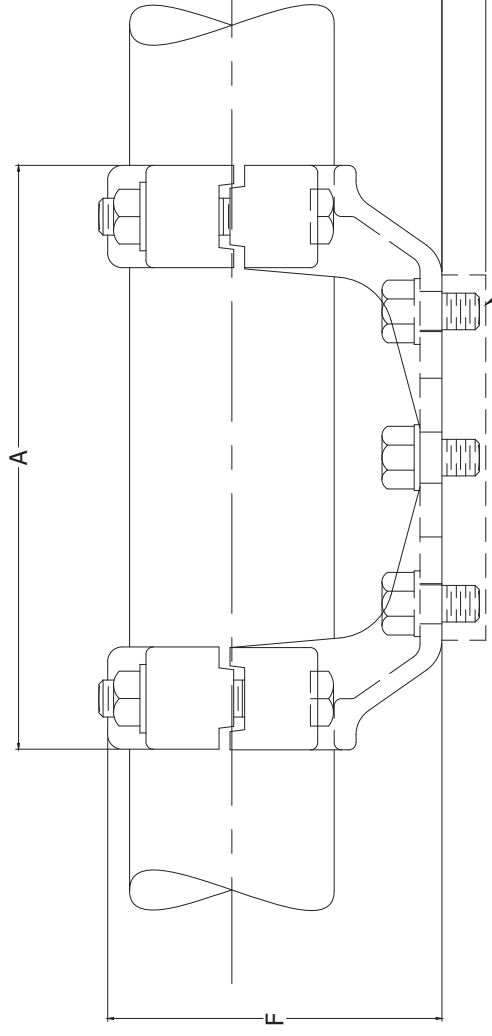
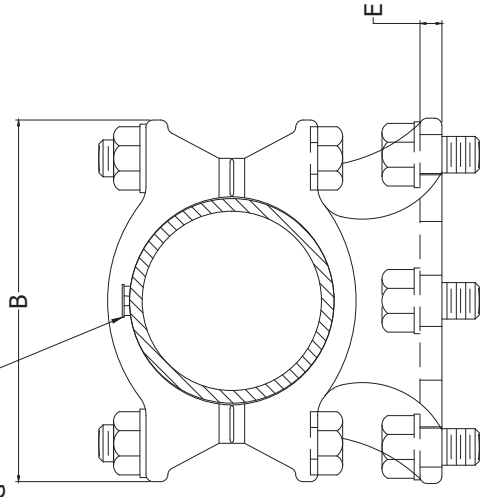
SLIP-FREE CLAMPING



RIGID CLAMPING



ANTI-CHATTERING SPRING



SPACER FOR ITEMS WITH "BE" SUFFIX ONLY

NOTES:

- MATERIAL: CASTINGS: 356-T6 ALUMINUM ALLOY
CLAMPING HARDWARE: ALUMINUM ALLOY
MOUNTING HARDWARE: GALVANIZED STEEL
- "AUR" BUS SUPPORT IS A COMBINATION SLIP-FREE OR RIGID CLAMPING TYPE. DESIRED CLAMPING IS OBTAINED BY ROTATING CAP 180 DEGREES.
- REGULARLY SUPPLIED WITH CAP SCREWS AND LOCK WASHERS FOR MOUNTING TO CAP OF INSULATOR. WHEN MOUNTING TO BASE OF INSULATOR IS REQUIRED ADD "B" TO CATALOG NUMBER TO ASSURE OBTAINING BOLTS, NUTS, AND LOCK WASHERS. EXAMPLE: AUR-14-3-B.
- DIMENSIONS IN INCHES.

80094		10/01/2019	HG	HG	PTB	HUBBELL POWER SYSTEMS	
EC #	DATE	CHG BY	HG	CKD BY	APPD BY	ALUMINUM BUS SUPPORT TUBE TO INSULATOR	
DESC OF DWG: TUBS ANGLE PROJECTION							
FIXED TYPD IN NOTE 3 AND EDITED FORMAT							
CONTENTS: THE DRAWING AND THIS TABLE ARE CONFIDENTIAL AND THE CONTENTS ARE NOT TO BE REPRODUCED, COPIED, OR DISTRIBUTED WITHOUT THE WRITTEN PERMISSION OF HUBBELL POWER SYSTEMS. HUBBELL POWER SYSTEMS RESERVES ALL RIGHTS UNDER THE COPYRIGHT LAWS.							
C C-4244		REV 07	PART / ASSY NO. SEE TABLE		SCALE: NS DRN BY: EL DATE: 03/12/56 SHEET 1 OF 2		

CATALOG NUMBER	BUS SIZE I.P.S.	BOLT CIRCLE DIA.	DIMENSIONS IN INCHES									
			A	B	C	D	E	F	J	K	T	
AUR-04-3	0.500	3.000	7.250	3.125	1.750	4.250	0.313	2.625	0.500	0.563 X 0.750	--	
AUR-04-7	0.500	7.000	11.375	3.125	1.750	8.500	0.375	2.625	0.500	0.813 X 1.063	--	
AUR-06-3	0.750	3.000	7.375	3.313	2.000	4.250	0.375	2.875	0.500	0.563 X 0.750	--	
AUR-06-5	0.750	5.000	9.313	3.313	2.250	6.250	0.375	3.125	0.500	0.688 X 0.875	--	
AUR-06-7	0.750	7.000	11.563	3.375	2.250	8.500	0.500	3.125	0.500	0.813 X 1.063	--	
AUR-10-2	1.000	2.000	6.000	3.500	2.000	3.000	0.375	3.250	0.375	0.438 X 0.875	--	
AUR-10-3	1.000	3.000	7.313	3.563	2.000	4.250	0.375	3.000	0.500	0.563 X 0.750	--	
AUR-10-5	1.000	5.000	9.313	3.563	2.250	6.250	0.375	3.250	0.500	0.688 X 0.875	--	
AUR-10-7	1.000	7.000	11.563	3.750	2.250	8.500	0.500	3.250	0.500	0.813 X 1.063	--	
AUR-12-3	1.250	3.000	7.375	3.938	2.250	4.250	0.375	3.500	0.500	0.563 X 0.750	--	
AUR-12-5	1.250	5.000	9.375	3.938	2.375	6.250	0.375	3.625	0.500	0.688 X 0.875	--	
AUR-12-7	1.250	7.000	11.563	4.250	2.375	8.500	0.500	3.625	0.500	0.813 X 1.063	--	
AUR-14-2	1.500	2.000	6.125	4.125	2.500	3.000	0.375	--	0.500	0.438 X 0.875	--	
AUR-14-3	1.500	3.000	7.375	4.125	2.500	4.250	0.375	3.875	0.500	0.563 X 0.750	--	
AUR-14-5	1.500	5.000	9.375	4.125	2.500	6.250	0.375	4.031	0.500	0.688 X 0.875	--	
AUR-14-7	1.500	7.000	11.625	4.250	2.500	8.500	0.500	3.875	0.500	0.813 X 1.063	--	
AUR-20-3	2.000	3.000	7.438	4.688	2.750	4.250	0.375	4.375	0.500	0.563 X 0.750	--	
AUR-20-5	2.000	5.000	9.438	4.688	2.750	6.250	0.375	4.375	0.500	0.688 X 0.875	--	
AUR-20-7	2.000	7.000	11.875	4.688	2.750	8.500	0.500	4.406	0.500	0.813 X 1.063	--	
AUR-24-3	2.500	3.000	8.188	5.563	3.125	4.250	0.375	5.000	0.500	0.563 X 0.750	--	
AUR-24-5	2.500	5.000	10.250	5.563	3.125	6.250	0.375	5.063	0.625	0.688 X 0.875	--	
AUR-24-7	2.500	7.000	12.438	5.563	3.125	8.500	0.500	5.000	0.625	0.813 X 1.063	--	
AUR-30-3	3.000	3.000	8.375	6.188	3.625	4.250	0.375	5.875	0.625	0.563 X 0.750	--	
AUR-30-3-TES	3.781	3.000	8.625	6.438	3.625	4.250	0.375	6.094	0.625	0.563 X 0.750	--	
AUR-30-5	3.000	5.000	10.000	6.188	3.625	6.250	0.375	6.031	0.625	0.688 X 0.875	--	
AUR-30-7	3.000	7.000	12.563	6.188	3.625	8.500	0.500	6.000	0.625	0.813 X 1.063	--	
AUR-34-3	3.500	3.000	8.375	6.813	4.000	4.250	0.375	6.500	0.625	0.563 X 0.750	--	
AUR-34-5	3.500	5.000	10.375	6.813	4.000	6.250	0.500	6.875	0.625	0.688 X 0.875	--	
AUR-34-7	3.500	7.000	12.625	6.875	4.000	8.500	0.500	6.875	0.625	0.813 X 1.063	--	
AUR-40-3	4.000	3.000	8.188	7.313	4.500	4.250	0.375	7.250	0.625	0.563 X 0.750	--	
AUR-40-5	4.000	5.000	10.188	7.313	4.500	6.250	0.500	7.250	0.625	0.688 X 0.875	--	
AUR-40-5-5	4.0000	5.000	10.188	7.313	5.000	6.250	0.500	7.250	0.625	0.688 X 0.875	--	
AUR-40-5-BE	4.0000	5.000	10.188	7.313	4.500	6.250	0.500	7.250	0.625	0.688 X 0.875	1.500	
AUR-40-7	4.000	7.000	12.688	8.000	4.500	8.500	0.500	7.250	0.625	0.813 X 1.063	--	
AUR-44-5	4.500	5.000	10.000	8.000	4.750	6.250	0.500	7.938	0.625	0.688 X 0.875	--	
AUR-50-3	5.000	3.000	10.000	8.250	4.875	4.250	0.500	8.156	0.625	0.563 X 0.750	--	
AUR-50-5	5.000	5.000	10.625	8.250	4.875	6.250	0.500	8.250	0.625	0.688 X 0.875	--	
AUR-50-5-5	5.000	5.000	11.188	8.250	5.000	6.250	0.500	8.375	0.625	0.688 X 0.875	--	
AUR-50-7	5.000	7.000	12.750	8.250	4.875	8.500	0.500	8.250	0.625	0.813 X 1.063	--	
AUR-60-3	6.000	3.000	8.250	9.375	5.375	4.250	0.500	9.250	0.625	0.563 X 0.750	--	
AUR-60-5	6.000	5.000	11.500	9.375	5.375	6.250	0.500	9.250	0.625	0.688 X 0.875	--	
AUR-60-7	6.000	7.000	13.375	9.375	5.375	8.500	0.500	9.250	0.625	0.813 X 1.000	--	
AUR-70-5-TPL	7.500 O.D.	5.000	12.125	10.188	6.375	6.250	0.500	10.688	0.625	0.688 X 0.875	--	
AUR-80-5	8.000	5.000	12.125	11.313	6.375	6.250	0.500	11.563	0.625	0.688 X 0.875	--	
AUR-10-OD-5	10.000 O.D.	5.000	12.500	12.688	7.000	6.250	0.500	12.750	0.625	0.688 X 0.875	--	

CATALOG NUMBER: AUR

PART / ASSY NO.	REV
C-4244	07

SEE TABLE

SCALE: NS DRN: BY: EL DATE: 03/12/56 SHEET 2 OF 2

1 UNCONTROLLED COPY WHEN PRINTED

