

FIG. NO.	CATALOG NUMBER	AAC CONDUCTOR (MIN. - MAX.)	ACSR CONDUCTOR (MIN. - MAX.)	COPPER LOOP SIZE	DIM A	DIM B	DIM C	DIM D	EYESTEM HARDWARE	APPROX. WT. EACH LB. [KG]	STANDARD PACK
1	AHLS022016E	#6 - 2/0 STR.	#8 - 2/0 STR.	#4 [.204]	30°	1.813 [46.04]	2.375 [60.32]	4.031 [102.39]	3/8"	.530 [.24]	50
1	AHLS022019E	#6 - 2/0 STR.	#8 - 2/0 STR.	#1 [.289]	30°	1.813 [46.04]	2.375 [60.32]	4.188 [106.36]	3/8"	.670 [.30]	50
2	AHLS024019E	#2 - 4/0 STR.	#4 - 4/0 STR.	#1 [.289]	30°	3.500 [88.90]	4.000 [101.60]	4.063 [103.19]	3/8"	1.190 [.54]	25
2	AHLS024021E	#2 - 4/0 STR.	#4 - 4/0 STR.	1/0 [.325]	30°	3.500 [88.90]	4.000 [101.60]	4.031 [102.39]	3/8"	1.250 [.57]	25
2	AHLS397021E	1/0 - 500 MCM	1/0 - 397.5 MCM	1/0 [.325]	30°	3.688 [93.66]	4.000 [101.60]	4.094 [103.98]	7/16"	1.560 [.71]	20
2	AHLS397022E	1/0 - 500 MCM	1/0 - 397.5 MCM	2/0 [.365]	30°	3.688 [93.66]	4.000 [101.60]	4.094 [103.98]	7/16"	1.650 [.75]	20
2	AHLS954022E	336.4 - 1033.5 MCM	336.4 - 954 MCM	2/0 [.365]	30°	4.250 [107.95]	4.500 [114.3]	4.158 [105.56]	1/2"	2.490 [1.13]	15
2	AHLS954024E	336.4 - 1033.5 MCM	336.4 - 954 MCM	4/0 [101.6]	30°	4.250 [107.95]	4.500 [114.3]	4.188 [106.36]	1/2"	2.490 [1.13]	15

ITEM	DESCRIPTION	MATERIAL
1	BODY	ALUMINUM
2	CAP	ALUMINUM
3	SPRING	STAINLESS STEEL
4	WASHER	GALVENIZED STEEL
5	EYESTEM	STAINLESS STEEL
6	BAIL	COPPER

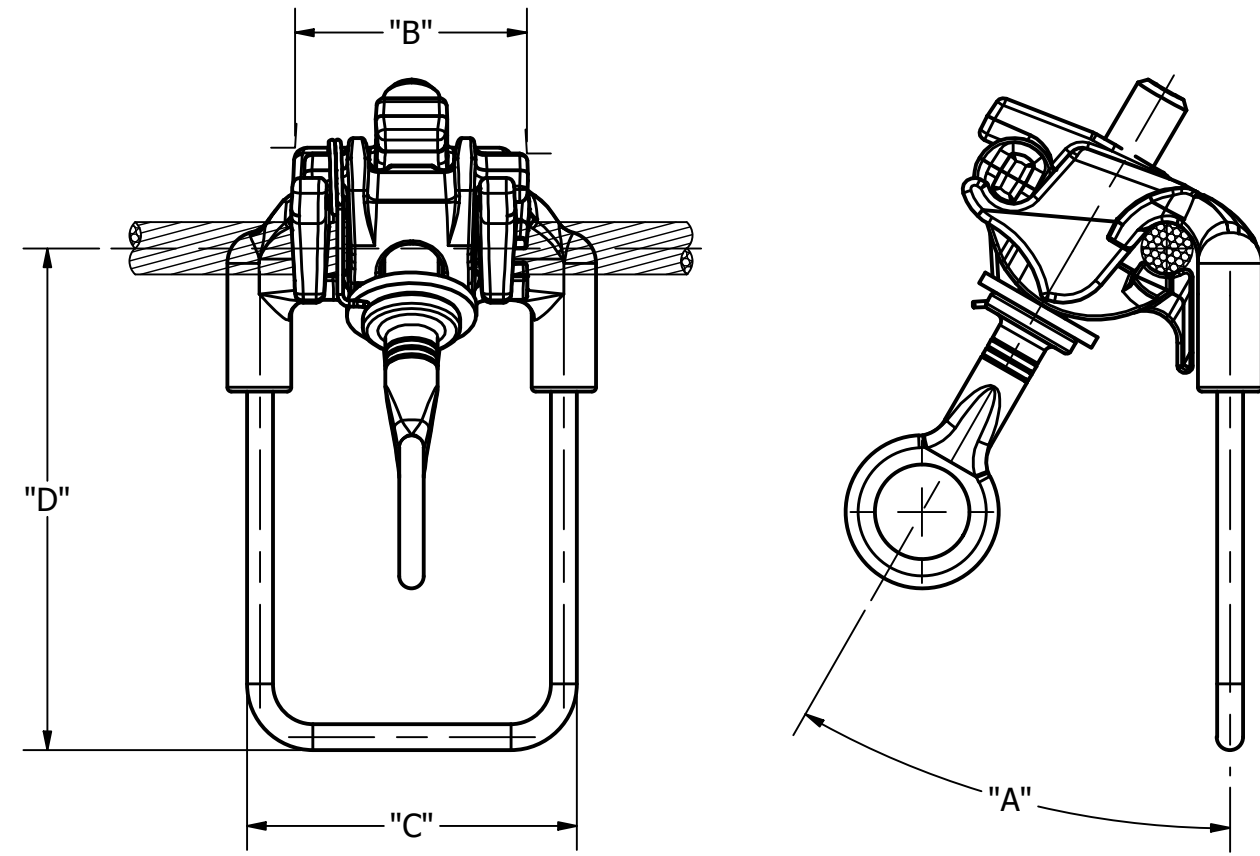


FIG 1

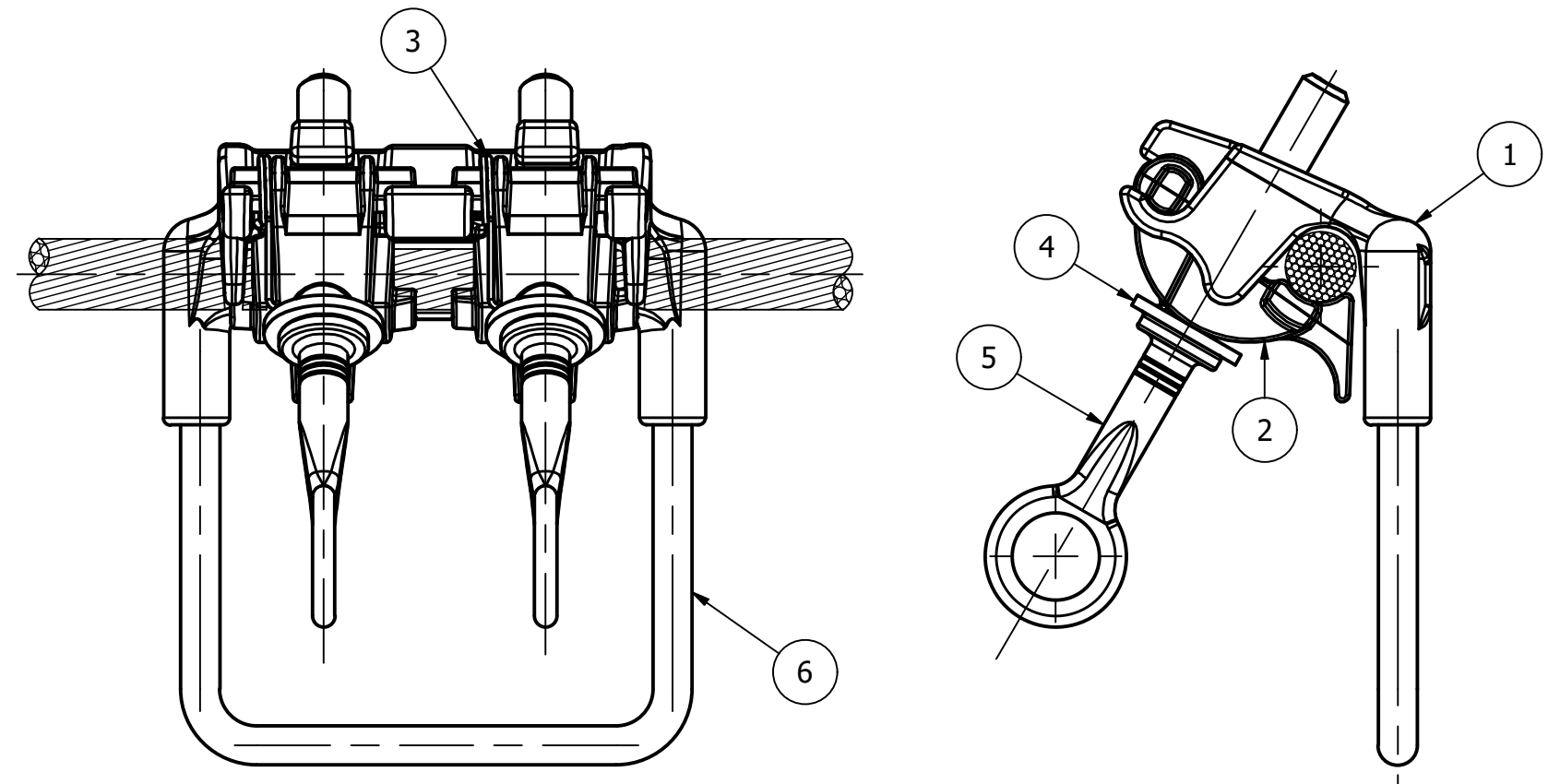
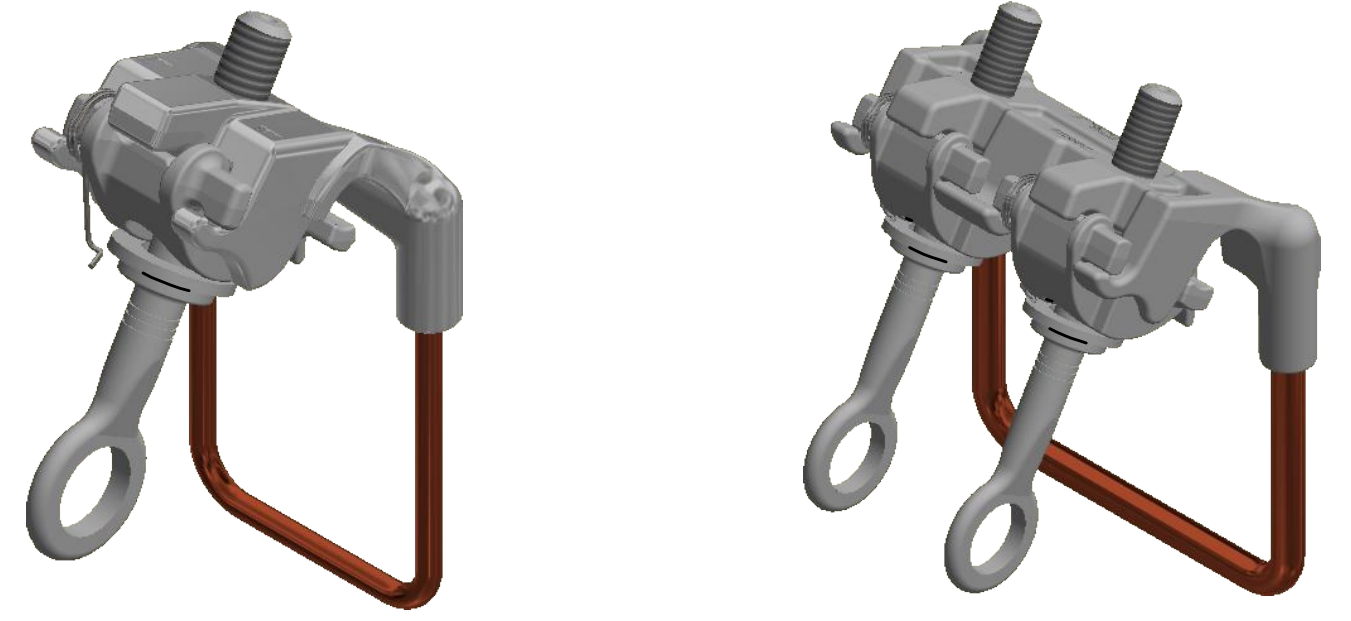


FIG 2



NOTES:

1. ALL DIMENSIONS FOR REFERENCE ONLY IN. [MM], FORCE LBS [KN], TORQUE IN. LBS [N.M] & WEIGHT LBS.[KG].

2. RATINGS:

A. RECOMMENDED TORQUE : EYESTEM - 200 IN.LBS [22.60]

3. CERTIFICATIONS, SPECIFICATIONS & STANDARDS:

A. ANSI C119.4

4. A SUFFIX IS ADDED TO THE CATALOG NUMBER TO DESIGNATE THE REQUIRED FITTINGS AS SHOWN

IN THE TABULATION (EXAMPLE: AHLS024021EWB):

- "TP" - TIN PLATED STIRRUP
- "XB" - GREASED AND BAGGED
- "H" - HEX HEAD BOLT

210408006920	04/08/21	SAV	FN	HPS.	HUBBELL® POWER SYSTEMS <small>POWER SYSTEMS, INC.</small>			
EC #	DATE	CHG BY	RESP ENG					
DESC OF DWG: WIDE BAIL OPTION REMOVED HEX HEAD BOLT OPTION ADDED				CONFIDENTIAL: THIS DRAWING AND ITS CONTACTS ARE CONFIDENTIAL AND THE EXCLUSIVE PROPERTY OF HUBBELL POWER SYSTEMS. NO PUBLICATION, DISTRIBUTION OR COPIES MAY BE MADE WITHOUT THE WRITTEN CONSENT OF HUBBELL POWER SYSTEMS. HUBBELL POWER SYSTEMS UNPUBLISHED ALL RIGHTS RESERVED UNDER THE COPYRIGHT LAWS	TITLE CONNECTOR, HOT LINE AL, STIRRUP TYPE AHLSXXX			
REASON (S) FOR CHANGE: DISPOSITION OF MAT'L:					<table border="1"> <tr> <td>SIZE C</td> <td>DWG NO. C-4409</td> <td>CAT / PART / ASSY NO. SEE CHART</td> <td>REV 27</td> </tr> </table>	SIZE C	DWG NO. C-4409	CAT / PART / ASSY NO. SEE CHART
SIZE C	DWG NO. C-4409	CAT / PART / ASSY NO. SEE CHART	REV 27					
DO NOT SCALE THIS DRAWING		DRN BY MAJ	DATE 02/04/2002	SHEET 1 OF 1				