

1 2 3 4



ACCESS
3D PDF
CLICK HERE

ACCESS
3D PORTAL
CLICK HERE

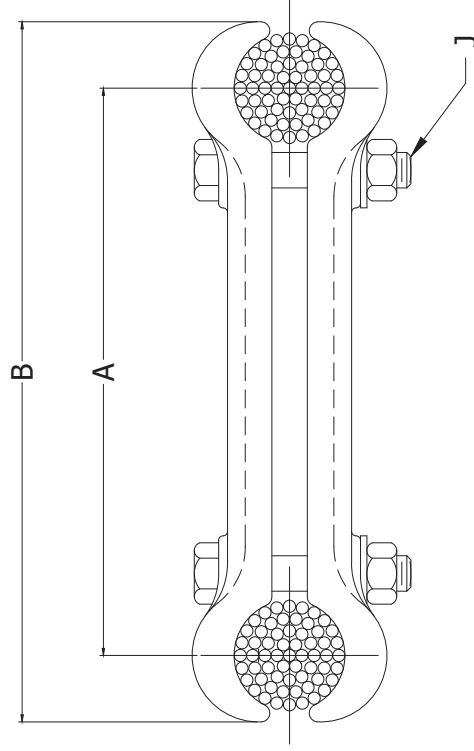
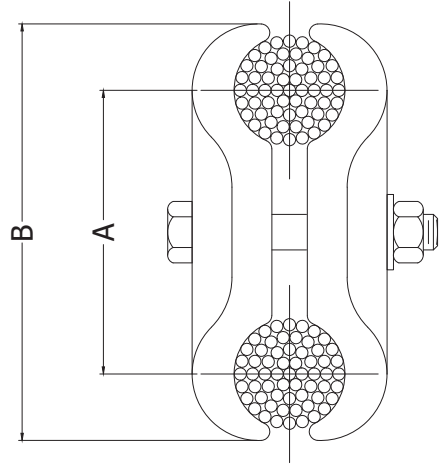
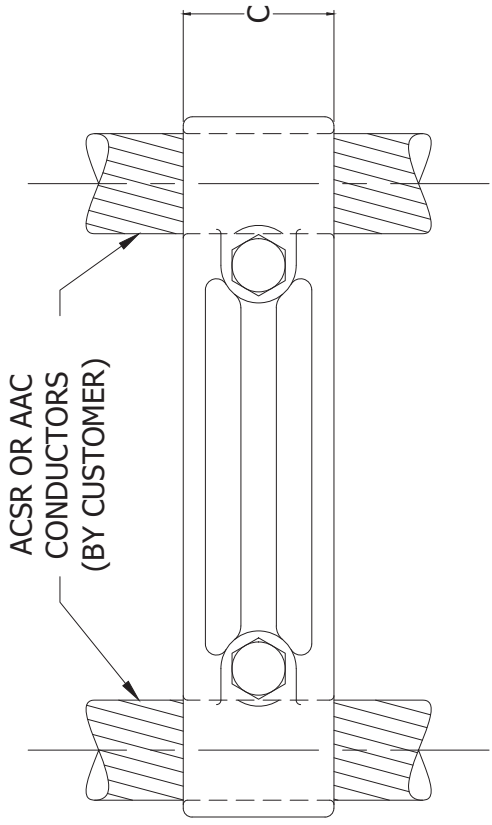


FIG. 1

FIG. 2

NOTES:

1. MATERIAL: 356-T6 ALUMINUM ALLOY
2. DIMENSION IN INCHES
3. FOR SUBSTATION USE ONLY, DO NOT USE FOR OVERHEAD TRANSMISSION LINES

EC #	DATE	CHG BY	HG	PTB	APPD BY
201005001216	10/5/2020				
DESC OF IMG: ADDED IMAGE OF SPACER IN TOP CORNER					
ADDED APES-16-18 TO TABLE					
INTERACTIVE DRAWING					
--					
REASON (S) FOR CHANGE: --					
DISPOSITION OF MAT'L: --					
 THIRD ANGLE PROJECTION					
HUBBELL POWER SYSTEMS TITLE CABLE SPACER FOR BUNDLED ALUMINUM DR ACSR CONDUCTORS CATALOG NUMBER: APCS SIZE DWG NO. PART / ASSY NO. C C-4936 SEE TABLE SCALE: NS DRN BY: KH DATE: 09/02/62 SHEET 1 OF 2					

CATALOG NUMBER	CONDUCTOR RANGE (MCM)		DECIMAL RANGE	FIG. NO.	A	B	C	J
	AAC	ACSR						
APCS-9-4	350-600	336.4-477	0.681-0.893	1	4.000	5.250	1.750	0.500
APCS-9-8	350-600	336.4-477	0.681-0.893	2	8.000	9.250	1.750	0.500
APCS-9-12	350-600	336.4-477	0.681-0.893	2	12.000	13.250	1.750	0.500
APCS-11-4	600-900	556.5-795	0.893-1.108	1	4.000	5.500	1.750	0.500
APCS-11-8	600-900	556.5-795	0.893-1.108	2	8.000	9.500	1.750	0.500
APCS-11-12	600-900	556.5-795	0.893-1.108	2	12.000	13.500	1.750	0.500
APCS-13-4	900-1250	715.5-1113	1.036-1.293	1	4.000	5.750	2.125	0.625
APCS-13-6	900-1250	715.5-1113	1.036-1.293	2	6.000	7.750	2.125	0.500
APCS-13-8	900-1250	715.5-1113	1.036-1.293	2	8.000	9.750	2.125	0.500
APCS-13-12	900-1250	715.5-1113	1.036-1.293	2	12.000	13.750	2.125	0.500
APCS-13-16	900-1250	715.5-1113	1.036-1.293	2	16.000	17.750	2.125	0.500
APCS-15-4	1250-1600	1113-1272	1.289-1.459	1	4.000	5.875	2.125	0.625
APCS-15-6	1250-1600	1113-1272	1.289-1.459	2	6.500	8.563	2.125	0.625
APCS-15-8	1250-1600	1113-1272	1.289-1.459	2	8.000	9.875	2.125	0.500
APCS-15-12	1250-1600	1113-1272	1.289-1.459	2	12.000	13.875	2.125	0.500
APCS-16-3	1500-2000	1272-1590	1.382-1.632	1	3.000	5.063	2.125	0.625
APCS-16-4	1500-2000	1272-1590	1.382-1.632	2	4.000	6.063	2.125	0.625
APCS-16-5	1500-2000	1272-1590	1.382-1.632	2	5.000	7.063	2.125	0.625
APCS-16-6	1500-2000	1272-1590	1.382-1.632	2	6.000	8.063	2.125	0.625
APCS-16-6.5	1500-2000	1272-1590	1.382-1.632	2	6.500	8.563	2.125	0.625
APCS-16-8	1500-2000	1272-1590	1.382-1.632	2	8.000	10.063	2.125	0.625
APCS-16-12	1500-2000	1272-1590	1.382-1.632	2	12.000	14.063	2.125	0.625
APCS-16-18	1500-2000	1272-1590	1.382-1.632	2	18.000	20.250	2.125	0.625
APCS-18-4	2000-2500	2156-2167	1.632-1.824	1	4.000	6.250	2.125	0.625
APCS-18-8	2000-2500	2156-2167	1.632-1.824	2	8.000	10.250	2.125	0.625
APCS-18-12	2000-2500	2156-2167	1.632-1.824	2	12.000	14.250	2.125	0.625
APCS-18-18	2000-2500	2156-2167	1.632-1.824	2	18.000	20.250	2.125	0.625
APCS-21-4	2500-3000	--	1.823-2.000	1	4.000	6.625	2.125	0.750
APCS-21-8	2500-3000	--	1.823-2.000	2	8.000	10.625	2.125	0.625

CATALOG NUMBER: APCS
PART / ASSY NO. SEE TABLE
REV 23
SIZE C
DWG NO. C-4936
DRN BY: KH
DATE: 09/02/62
SHEET 2 OF 2
UNCONTROLLED COPY WHEN PRINTED