
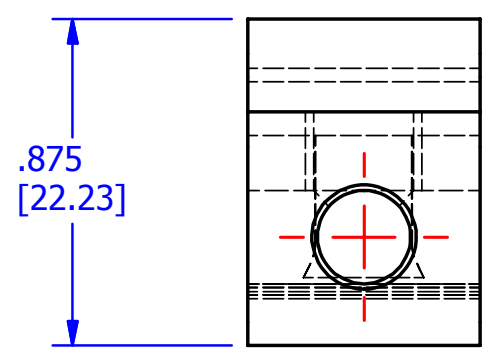
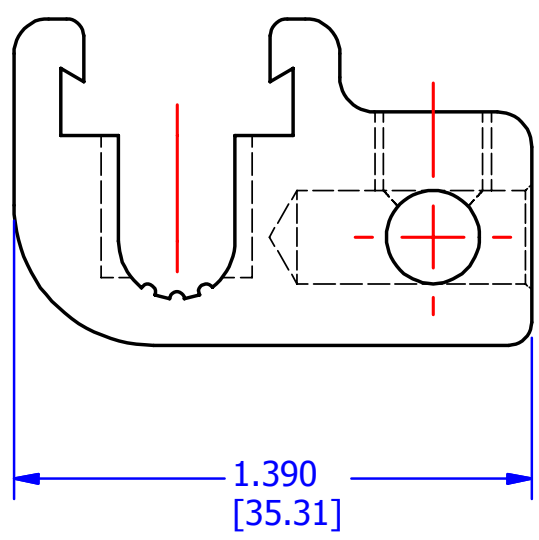
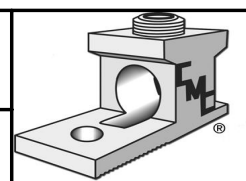


| MARKING | |
|---------------------------|--|
| ONE SIDE | OTHER SIDE |
| MAIN 2-12 | UL  |
| TAP 4-14 CU 4-12 AL | Y GPT-2 90C |



FINISH: TIN PLATE CMS-02

| | | | | | | | | |
|----------|---------------------|-----|----------|-------|---|--------------------------|-----------------------------|--------------------|
| | | | | | TO ORDER CMC PRODUCTS CALL 1-513-860-4455 | DRAWN BY: TS 11/14/17 | NAME OF PART: GUTTER TAP | CAT. NO.: GPT-2 |
| | | | | | FOR PRODUCT INFO: http://www.cmclugs.com | CHECKED BY: | DWG NO: C00204090 | A |
| A | NEW DRAWING CREATED | | 11/14/17 | TS | | DRAWING NOT TO SCALE | | SHEET NO: 1 OF 1 |
| REV. | DESCRIPTION | ECN | DATE | INIT. | | | | |



THIS INFORMATION IS PROPRIETARY TO CONNECTOR MFG. CO. AND IS NOT TO BE DISCLOSED OUTSIDE OF CONNECTOR MFG. CO. WITHOUT A CONFIDENTIALITY AGREEMENT



CONNECTOR MANUFACTURING CO.

HAMILTON, OHIO