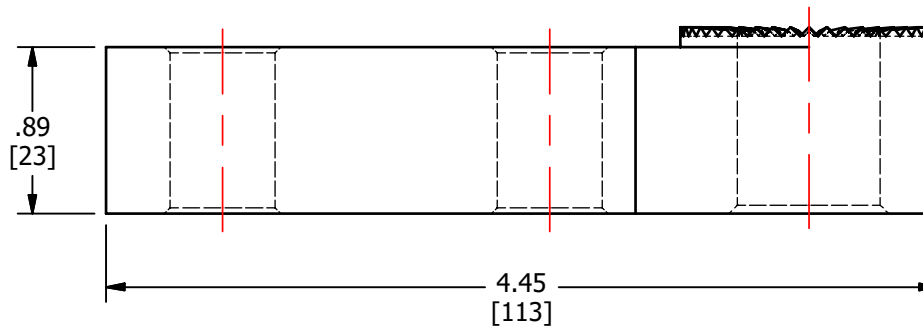
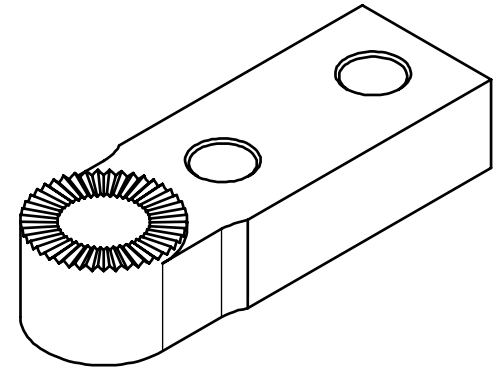
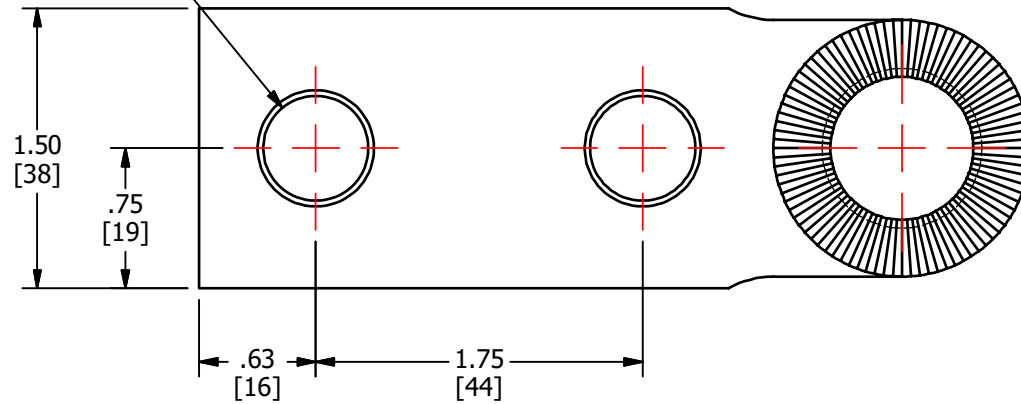


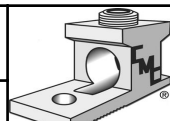
.56 DIA.  
[14]  
(2 PLACES)



MATERIAL: ALUMINUM

FINISH: TIN PLATE

CERTIFICATION: 

				TO ORDER CMC PRODUCTS		DRAWN BY: TS		NAME OF PART:		CAT. NO.:	
				UNITED STATES 1-513-860-4455		11-14-19		ROTO-LUG ADAPTOR		RL-ADS	
				CANADA 1-800-361-6975		CHECKED BY:		DWG NO:		A	
				MEXICO 011-52-722-265-4400				C00284000-S			
A NEW DRAWING CREATED				11-14-19		TS		DRAWING NOT TO SCALE		SHEET NO: 1 OF 1	
REV.	DESCRIPTION			ECN	DATE	INIT.					

THIS INFORMATION IS PROPRIETARY TO CONNECTOR MFG. CO. AND IS NOT TO BE DISCLOSED OUTSIDE OF CONNECTOR MFG. CO. WITHOUT A CONFIDENTIALITY AGREEMENT



**CONNECTOR MANUFACTURING CO.**

HAMILTON, OHIO