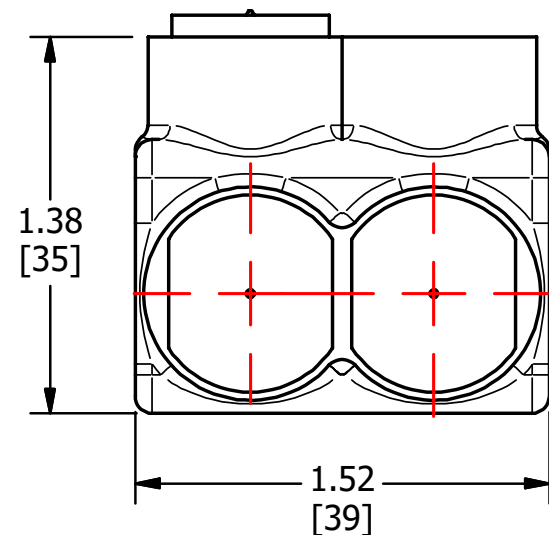


SCREWS ARE SUPPLIED WITH CONNECTOR AND COMES FULLY ASSEMBLED.



- CMC FLEX TAP IS AVAILABLE IN TWO THROUGH EIGHT CONDUCTOR CONFIGURATIONS IN FIVE CONDUCTOR SIZES.
- CONNECTOR FABRICATED FROM 6061-T6 ALUMINIUM ALLOY FOR CONDUCTIVITY AND STRENGTH.
- CONNECTOR IS ENCAPSULATED IN CLEAR PVC RATED AT 240 VOLTS PER MIL.
- CLEAR COVER ALLOWS VISUAL INSPECTION OF CONDUCTORS DURING INSTALLATION.
- FULLY TESTED TO ANSI C119.4 FOR CLASS 'A' CONNECTORS.
- CONDUCTOR RANGE: 2/0 AWG to #14 AWG AL TO CU

					TO ORDER CMC PRODUCTS	DRAWN BY: TS	NAME OF PART:	CAT. NO.:
					UNITED STATES 1-513-860-4455	08-19-20	ENCAP BAR ASSEMBLY	NACC2/0-2B
					CANADA 1-800-361-6975	CHECKED BY:	DWG NO.:	A
					MEXICO 011-52-722-265-4400		C00298162-S	
A	NEW DRAWING CREATED		08-19-20	TS	FOR PRODUCT INFO www.cmclugs.com	DRAWING NOT TO SCALE		SHEET NO: 1 OF 1
REV.	DESCRIPTION	ECN	DATE	INIT.				

THIS INFORMATION IS PROPRIETARY TO CONNECTOR MFG. CO. AND IS NOT TO BE DISCLOSED OUTSIDE OF CONNECTOR MFG. CO. WITHOUT A CONFIDENTIALITY AGREEMENT



CONNECTOR MANUFACTURING CO.

HAMILTON, OHIO