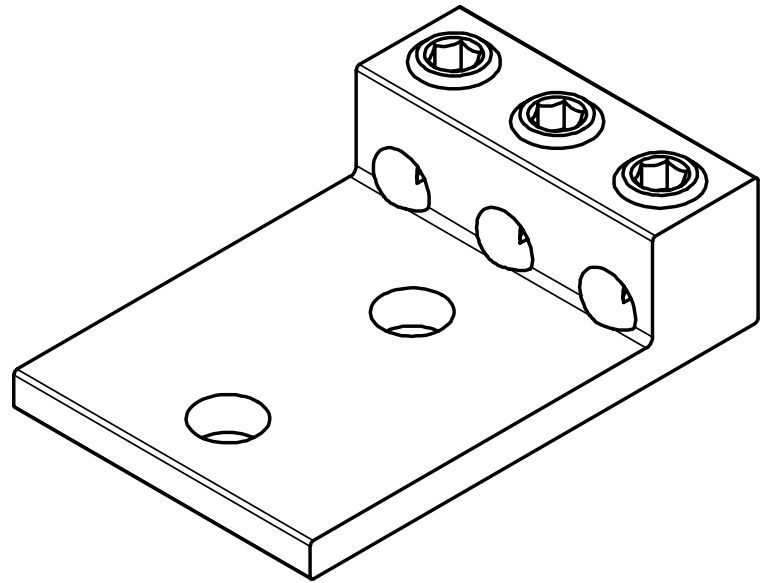
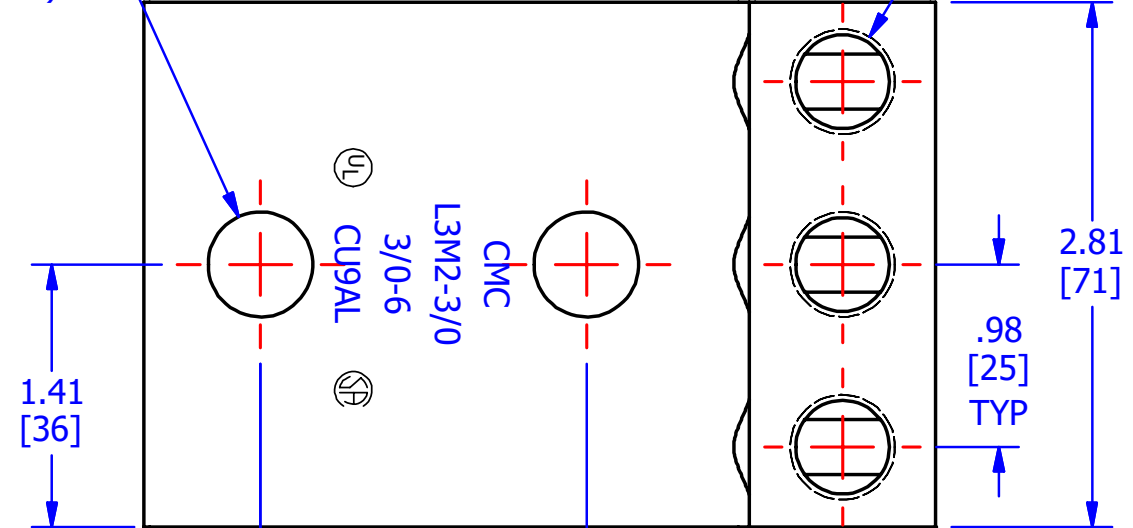
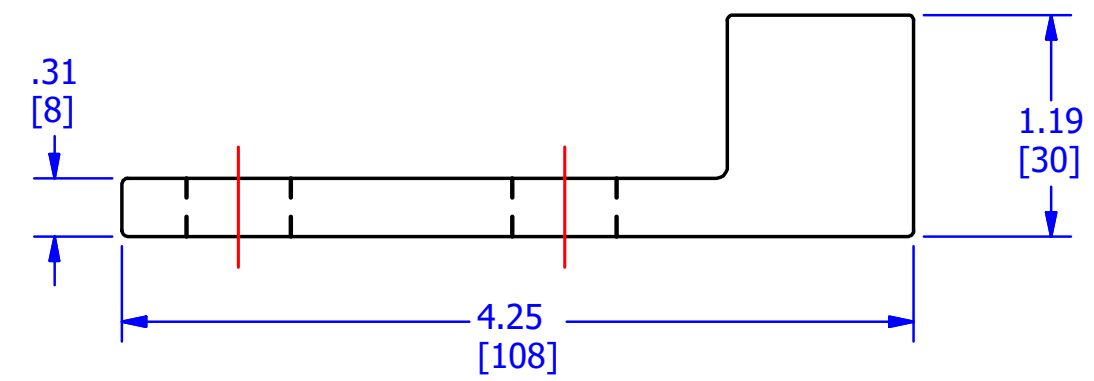
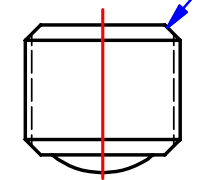


DIA .56
[14]
(2 PLACES)

TAP 9/16
(3 PLACES)

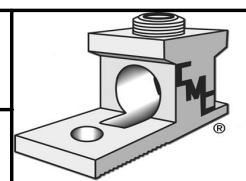


SCREWS ARE SUPPLIED WITH
CONNECTOR AND COMES
FULLY ASSEMBLED.



FINISH: TIN PLATED
MATERIAL: ALUMINUM

					TO ORDER CMC PRODUCTS CALL 1-513-860-4455	DRAWN BY: TS 02/14/18	NAME OF PART: LUG ASSEMBLY	CAT. NO.: L3M2-3/0
					FOR PRODUCT INFO: http://www.cmclugs.com	CHECKED BY:	DWG NO: C00494041-S	A
A	NEW DRAWING CREATED		02/14/18	TS	DRAWING NOT TO SCALE		SHEET NO: 1 OF 1	
REV.	DESCRIPTION	ECN	DATE	INIT.				



THIS INFORMATION IS PROPRIETARY TO CONNECTOR MFG. CO. AND IS NOT TO BE DISCLOSED OUTSIDE OF CONNECTOR MFG. CO. WITHOUT A CONFIDENTIALITY AGREEMENT



CONNECTOR MANUFACTURING CO.

HAMILTON, OHIO