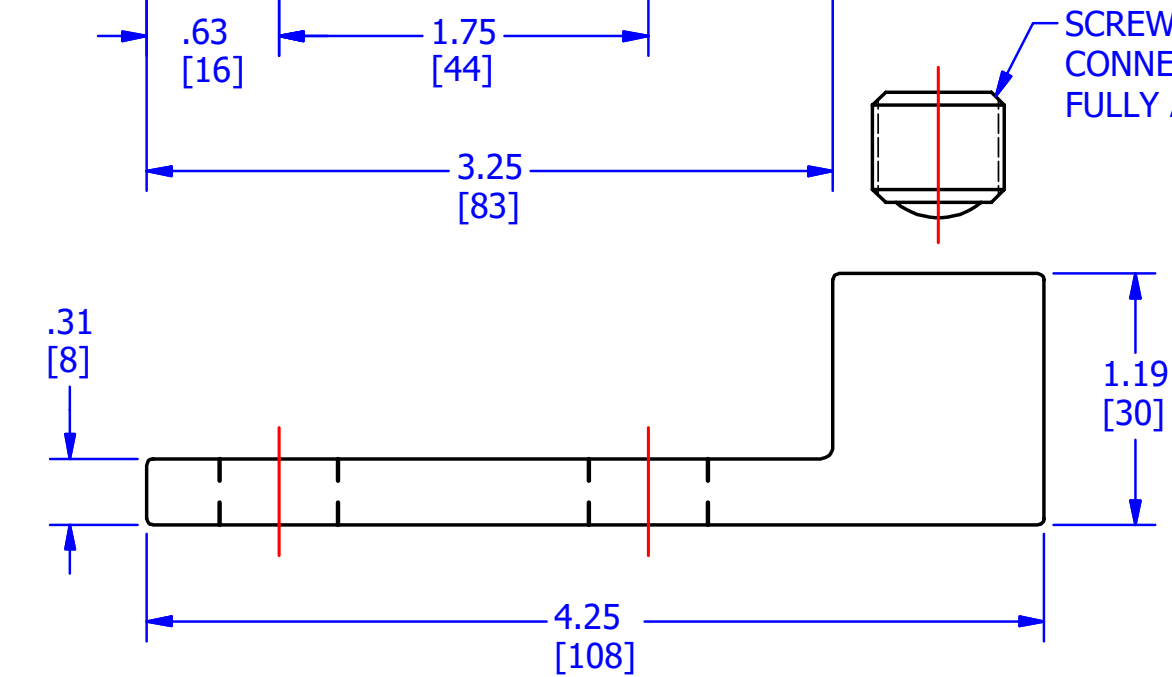
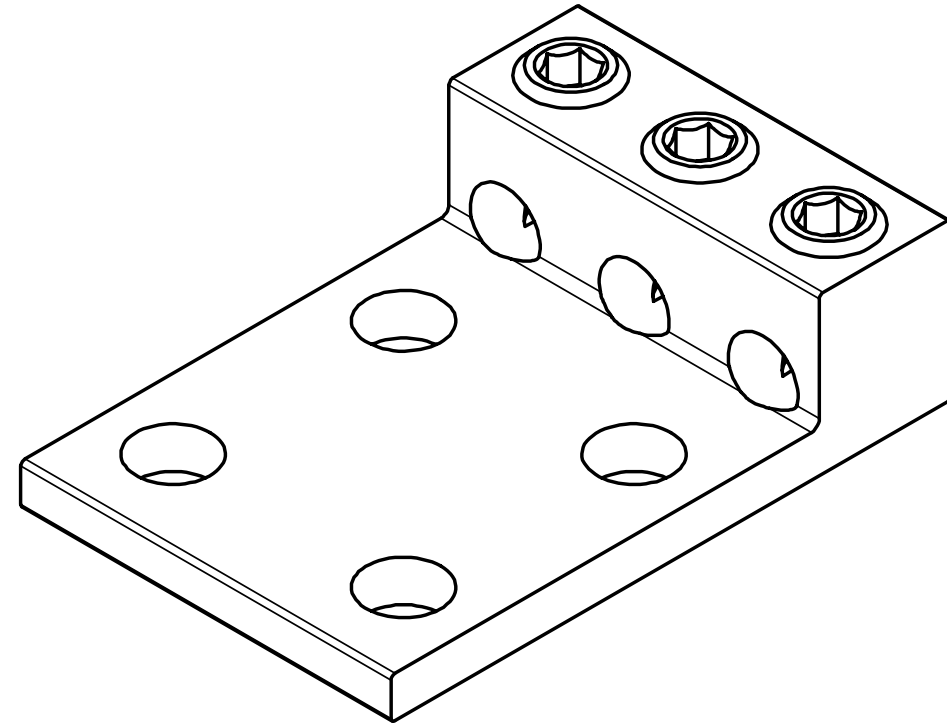
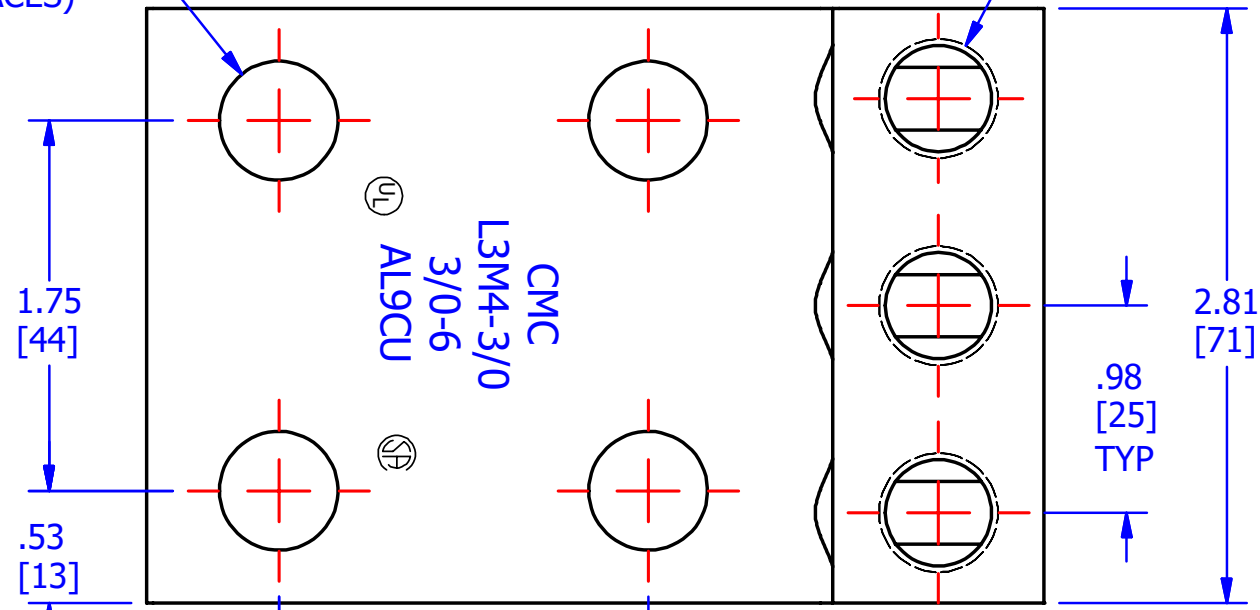


DIA .56  
[14]  
(4 PLACES)

TAP 9/16  
(3 PLACES)



FINISH: TIN PLATED  
MATERIAL: ALUMINUM

REV.	DESCRIPTION	ECN	DATE	INIT.	TO ORDER CMC PRODUCTS CALL 1-513-860-4455  FOR PRODUCT INFO: <a href="http://www.cmclugs.com">http://www.cmclugs.com</a>	DRAWN BY: TS 01-12-18  CHECKED BY:	NAME OF PART: LUG ASSEMBLY  DWG NO: C00494042-S	CAT. NO.: L3M4-3/0	A	
A	NEW DRAWING CREATED		01-12-18	TS		DRAWING NOT TO SCALE		SHEET NO: 1 OF 1		

THIS INFORMATION IS PROPRIETARY TO CONNECTOR MFG. CO. AND IS NOT TO BE DISCLOSED OUTSIDE OF CONNECTOR MFG. CO. WITHOUT A CONFIDENTIALITY AGREEMENT



**CONNECTOR MANUFACTURING CO.**

HAMILTON, OHIO