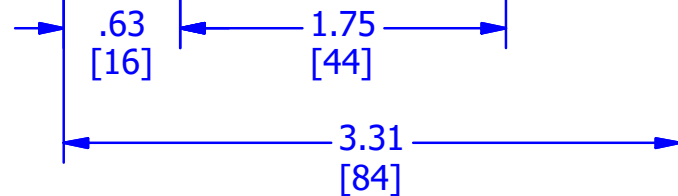
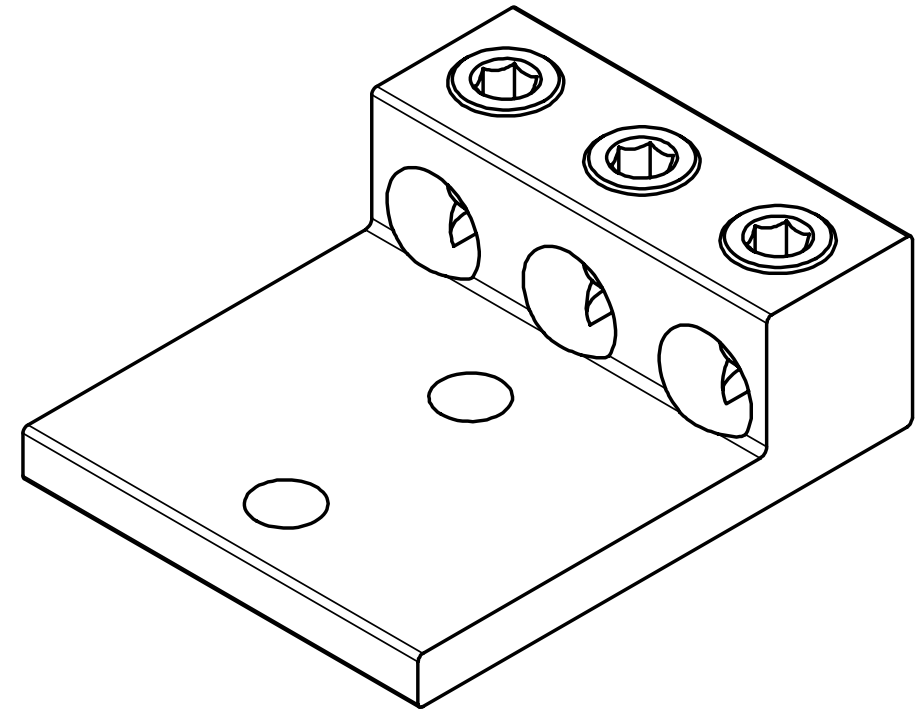
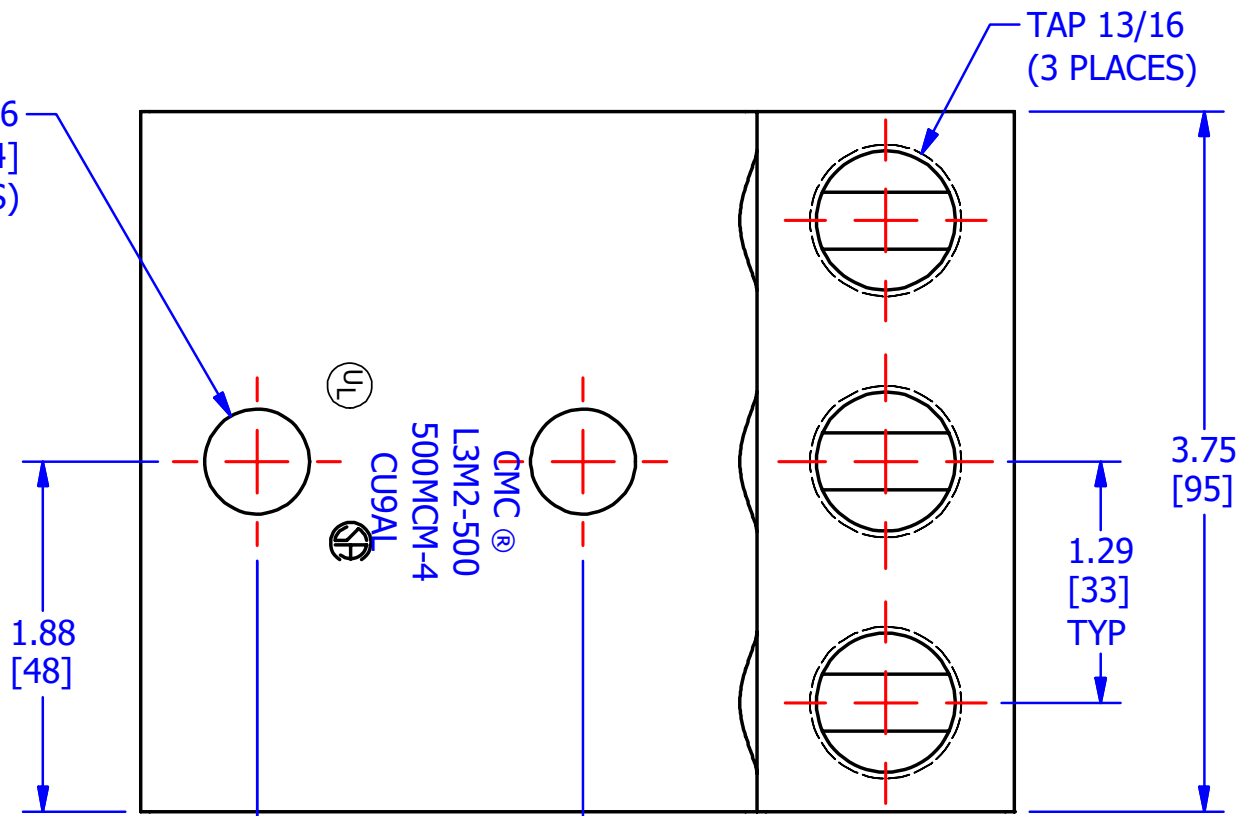
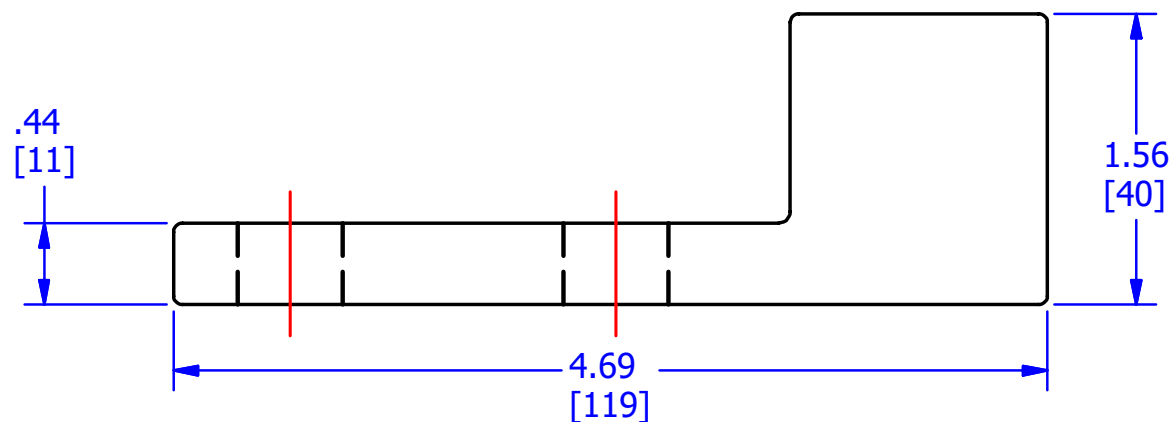


DIA .56
[14]
(2 PLACES)



SCREWS ARE SUPPLIED WITH
CONNECTOR AND COMES
FULLY ASSEMBLED.



FINISH: TIN PLATED
MATERIAL: ALUMINUM

					TO ORDER CMC PRODUCTS CALL 1-513-860-4455	DRAWN BY: TS 01/12/18	NAME OF PART: 3 BARREL LUG	CAT. NO.: L3M2-500
					FOR PRODUCT INFO: http://www.cmclugs.com	CHECKED BY:	DWG NO: C00494056-S	A
A	NEW DRAWING CREATED		01/12/18	TS	DRAWING NOT TO SCALE		SHEET NO: 1 OF 1	

