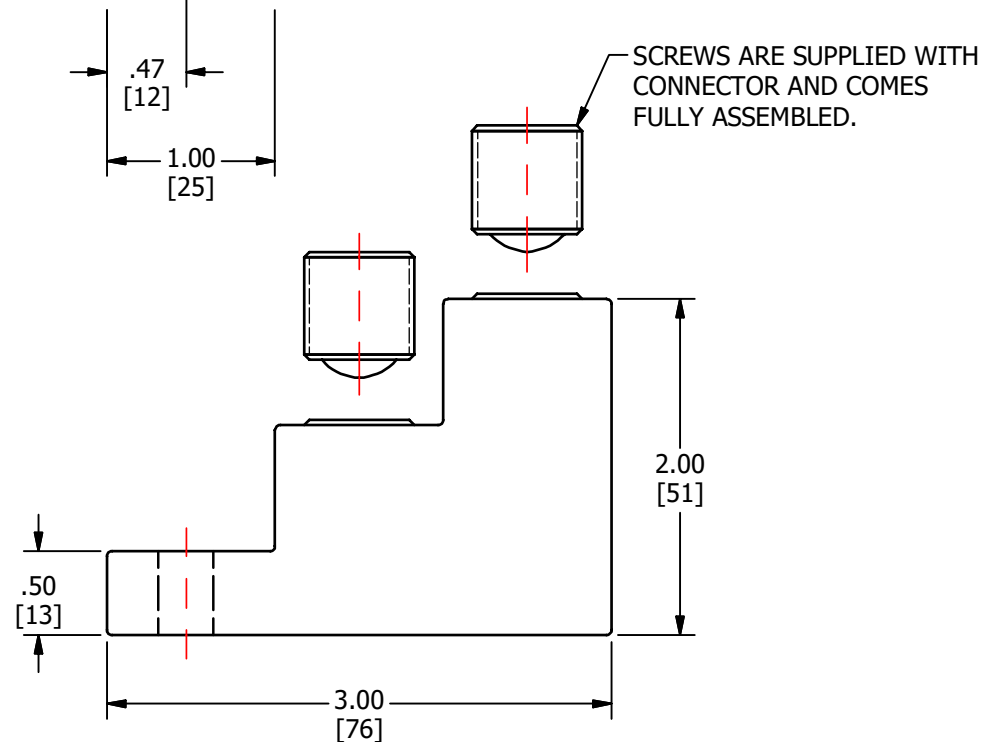
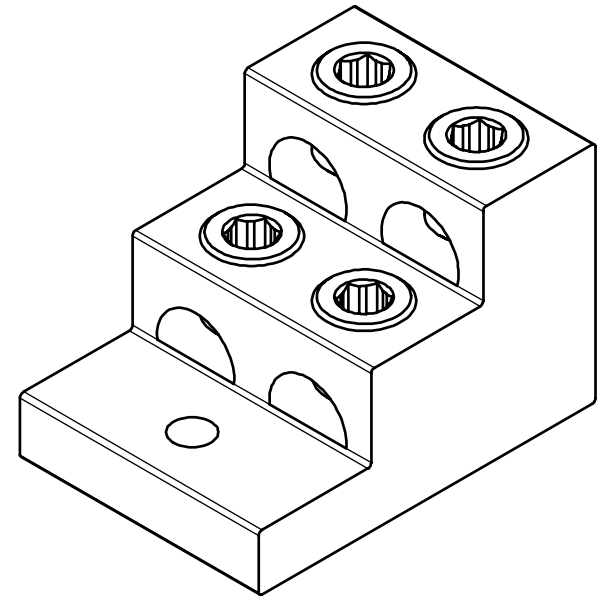
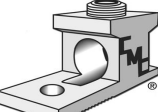


TAP 11/16
(4 PLACES)



FINISH: TIN PLATED
MATERIAL: ALUMINUM

				TO ORDER CMC PRODUCTS		DRAWN BY: TS		NAME OF PART:		CAT. NO.:	
				UNITED STATES 1-513-860-4455		10-12-20		STEP LUG ASSEMBLY		PV4-500	
				CANADA 1-800-361-6975		CHECKED BY:		DWG NO:		A	
				MEXICO 011-52-722-265-4400				C00494065-S			
A NEW DRAWING CREATED				10-12-20		TS		DRAWING NOT TO SCALE		SHEET NO: 1 OF 1	
REV.		DESCRIPTION		ECN		DATE		INIT.			

THIS INFORMATION IS PROPRIETARY TO CONNECTOR MFG. CO. AND IS NOT TO BE DISCLOSED OUTSIDE OF CONNECTOR MFG. CO. WITHOUT A CONFIDENTIALITY AGREEMENT



CONNECTOR MANUFACTURING CO.

HAMILTON, OHIO