

DIA .56
[14]
(4 PLACES)

1.75
[44]

1.75
[45]

.63
[16]

1.75
[44]

3.31
[84]

5.24
[133]

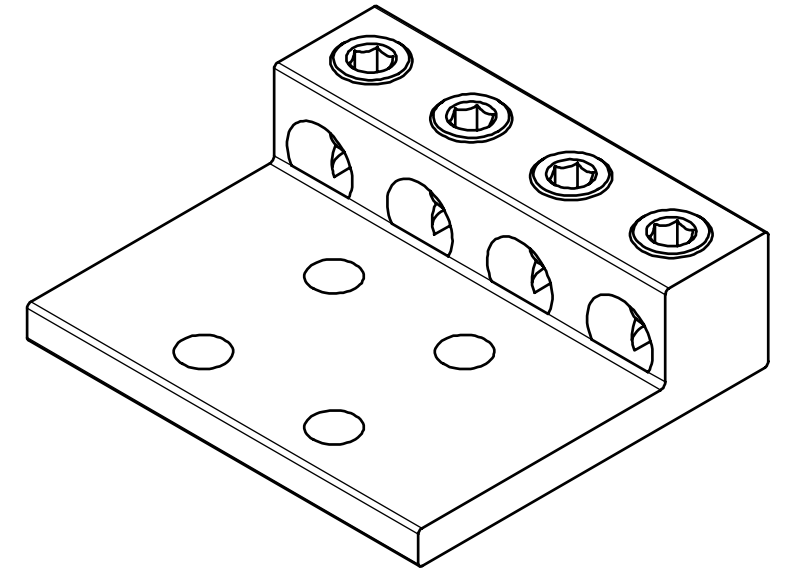
TAP 13/16
(4 PLACES)

SCREWS ARE SUPPLIED WITH
CONNECTOR AND COMES
FULLY ASSEMBLED.

.44
[11]

4.69
[119]

1.56
[40]



FINISH: TIN PLATE
MATERIAL: ALUMINUM

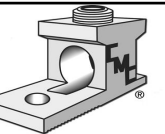
REV.	DESCRIPTION	ECN	DATE	INIT.
A	NEW DRAWING CREATED		03/06/18	TS

TO ORDER CMC PRODUCTS CALL 1-513-860-4455 FOR PRODUCT INFO: http://www.cmclugs.com	DRAWN BY: TS 03/06/18	NAME OF PART: LUG ASSEMBLY	CAT. NO.: L4M4-500
	CHECKED BY:	DWG NO.: C00494093-S	B
DRAWING NOT TO SCALE		SHEET NO: 1 OF 1	

THIS INFORMATION IS PROPRIETARY TO CONNECTOR MFG. CO. AND IS NOT TO BE DISCLOSED OUTSIDE OF CONNECTOR MFG. CO. WITHOUT A CONFIDENTIALITY AGREEMENT



CONNECTOR MANUFACTURING CO.



HAMILTON, OHIO