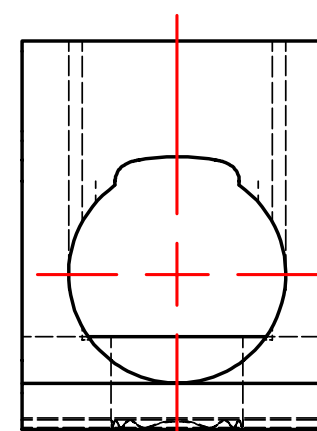


SCREWS ARE SUPPLIED WITH CONNECTOR AND COMES FULLY ASSEMBLED.



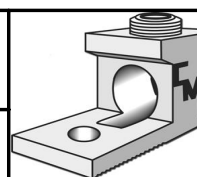
FINISH: TIN PLATE  
MATERIAL: ALUMINUM

					TO ORDER CMC PRODUCTS CALL 1-513-860-4455	DRAWN BY: TS 03/05/18	NAME OF PART: LUG ASSEMBLY	CAT. NO.: AB125-S
					FOR PRODUCT INFO: <a href="http://www.cmclugs.com">http://www.cmclugs.com</a>	CHECKED BY:	DWG NO: C00494102-S	A
A	NEW DRAWING CREATED		03/05/18	TS	DRAWING NOT TO SCALE		SHEET NO: 1 OF 1	

THIS INFORMATION IS PROPRIETARY TO CONNECTOR MFG. CO. AND IS NOT TO BE DISCLOSED OUTSIDE OF CONNECTOR MFG. CO. WITHOUT A CONFIDENTIALITY AGREEMENT



CONNECTOR MANUFACTURING CO.



HAMILTON, OHIO