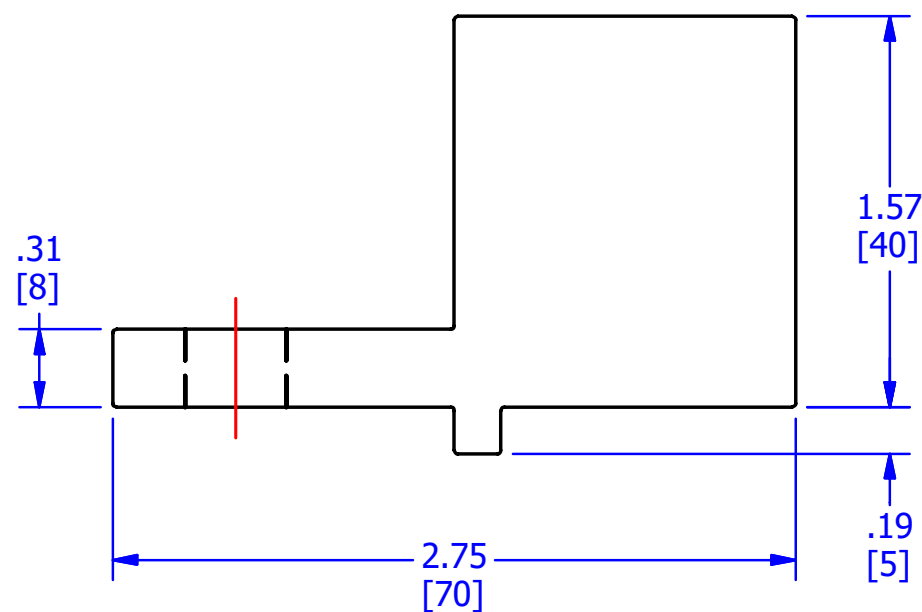
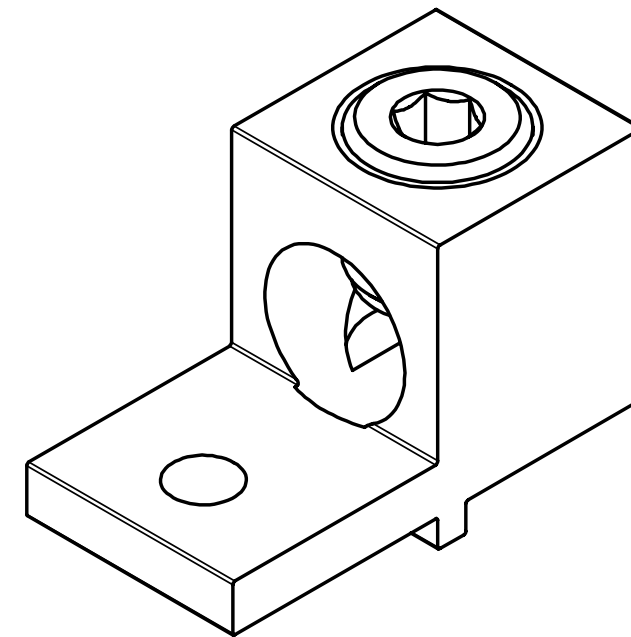



SCREWS ARE SUPPLIED WITH CONNECTOR AND COMES FULLY ASSEMBLED.



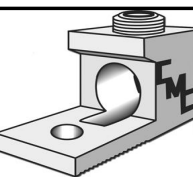
FINISH: TIN PLATED
 MATERIAL: ALUMINUM
 CONDUCTOR RANGE: 600 KCMIL - #2 AWG
 DUAL-RATED CONDUCTORS
 (ALUMINUM OR COPPER)
 CERTIFICATION:  

					TO ORDER CMC PRODUCTS CALL 1-513-860-4455	DRAWN BY: TS 03/06/18	NAME OF PART: LUG ASSEMBLY	CAT. NO.: LA-600R
					FOR PRODUCT INFO: http://www.cmclugs.com	CHECKED BY:	DWG NO: C00494338-S	A
A	NEW DRAWING CREATED		03/06/18	TS		DRAWING NOT TO SCALE		SHEET NO: 1 OF 1
REV.	DESCRIPTION	ECN	DATE	INIT.				

THIS INFORMATION IS PROPRIETARY TO CONNECTOR MFG. CO. AND IS NOT TO BE DISCLOSED OUTSIDE OF CONNECTOR MFG. CO. WITHOUT A CONFIDENTIALITY AGREEMENT



CONNECTOR MANUFACTURING CO.



HAMILTON, OHIO