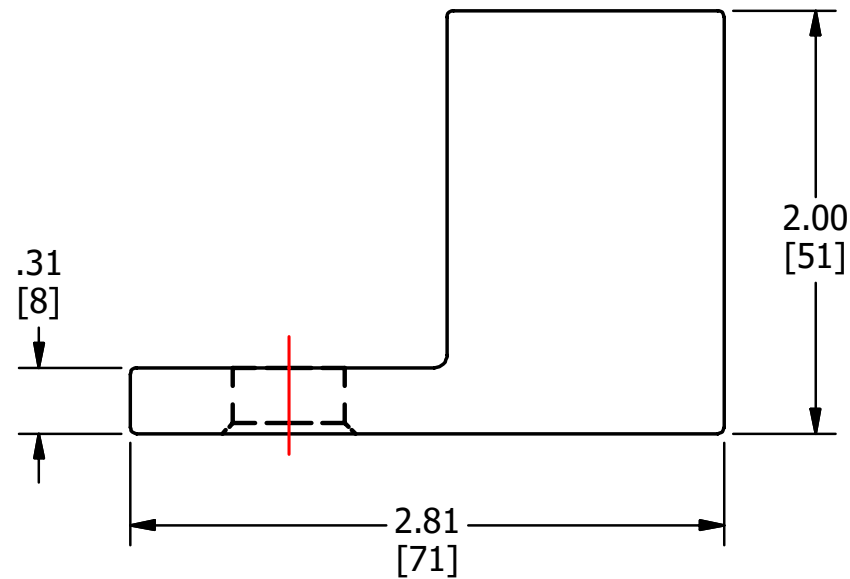
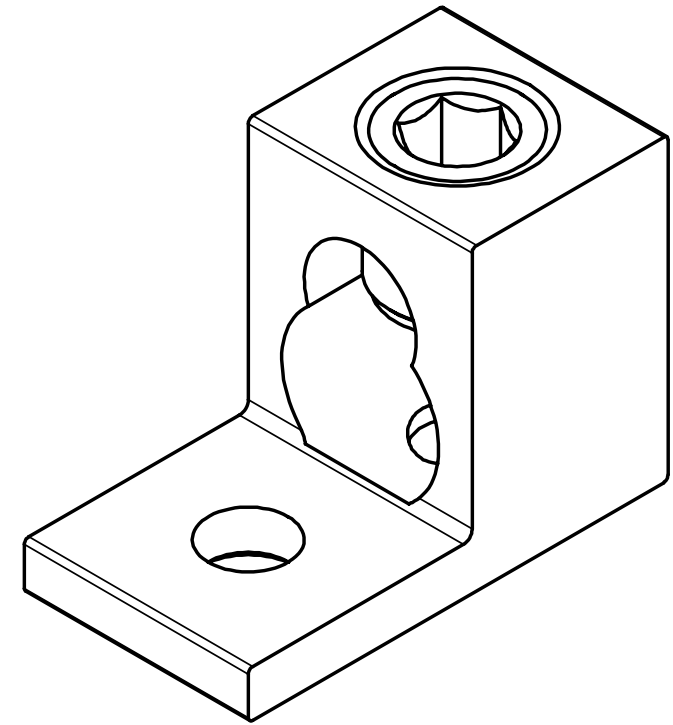


SCREWS ARE SUPPLIED WITH  
CONNECTOR AND COMES  
FULLY ASSEMBLED.



FINISH: TIN PLATED

MATERIAL: ALUMINUM

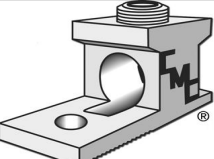
CONDUCTOR RANGE: 750 KCMIL-1/0 AWG

(2)350 KCMIL-1/0 AWG

DUAL-RATED CONDUCTORS

(ALUMINUM OR COPPER)

CERTIFICATION:  

					TO ORDER CMC PRODUCTS	DRAWN BY: TS	NAME OF PART:	CAT. NO.:
					UNITED STATES 1-513-860-4455	11-05-20	LUG ASSEMBLY	LA-750
					CANADA 1-800-361-6975	CHECKED BY:	DWG NO:	A
					MEXICO 011-52-722-265-4400		C00494379-S	
A	NEW DRAWING CREATED		11-05-20	TS	FOR PRODUCT INFO www.cmclugs.com	DRAWING NOT TO SCALE		SHEET NO: 1 OF 1

THIS INFORMATION IS PROPRIETARY TO CONNECTOR MFG. CO. AND IS NOT TO BE  
DISCLOSED OUTSIDE OF CONNECTOR MFG. CO. WITHOUT A CONFIDENTIALITY AGREEMENT



**CONNECTOR MANUFACTURING CO.**

HAMILTON, OHIO