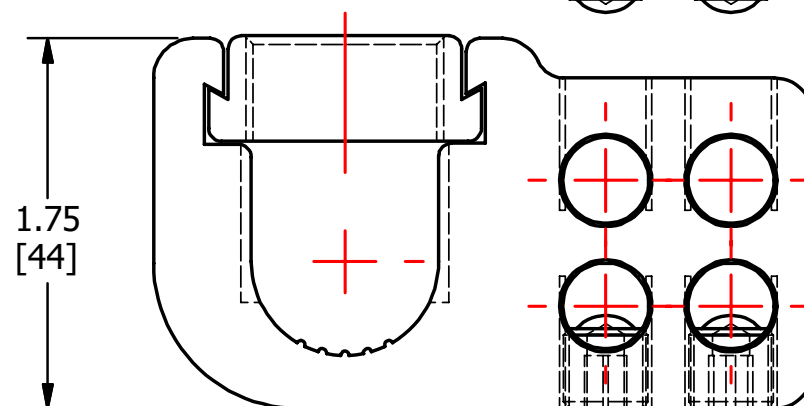
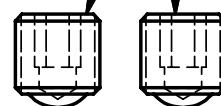



SCREWS ARE SUPPLIED WITH CONNECTOR AND COMES FULLY ASSEMBLED.



MARKING

CMC® GP4-500
 MAIN 500-350
 TAP 1/0-14 CU9
 1/0-12 AL9 

FINISH: TIN PLATE

MATERIAL: ALUMINUM

					TO ORDER CMC PRODUCTS CALL 1-513-860-4455	DRAWN BY: TS 05/22/18	NAME OF PART: GUTTER TAP	CAT. NO.: GP4-500
					FOR PRODUCT INFO: http://www.cmclugs.com	CHECKED BY:	DWG NO: C00496033-S	A
A	NEW DRAWING CREATED		05/22/18	TS		DRAWING NOT TO SCALE		SHEET NO: 1 OF 1
REV.	DESCRIPTION	ECN	DATE	INIT.				

