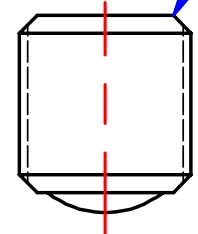
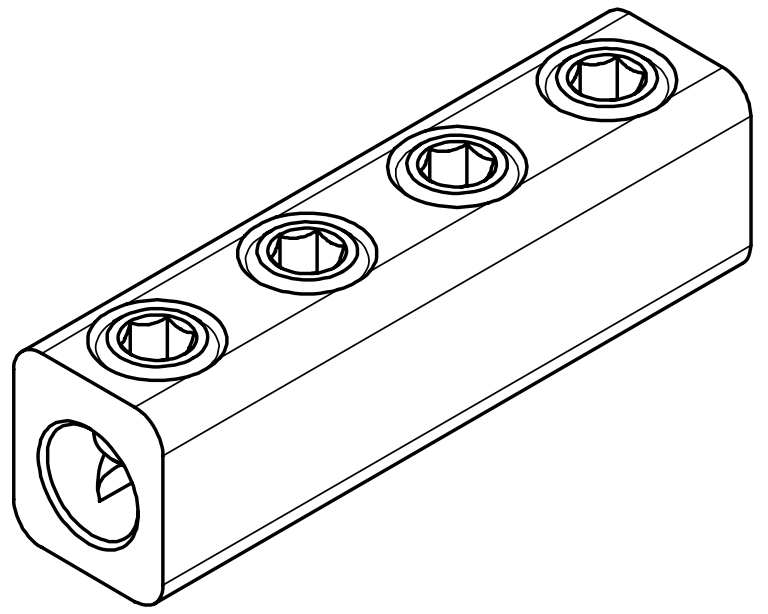
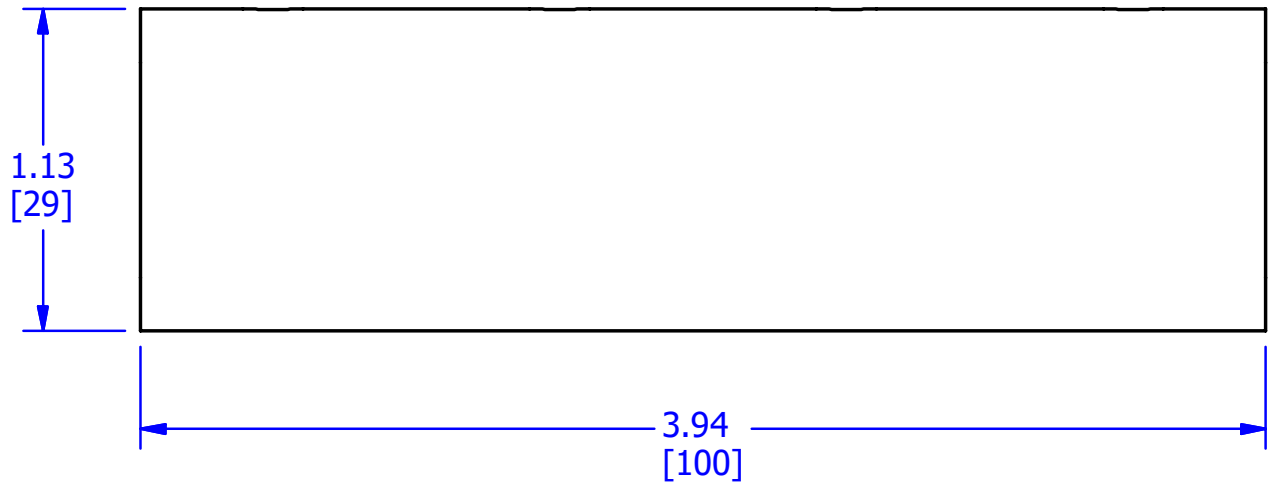


TAP 5/8  
(4 PLACES)

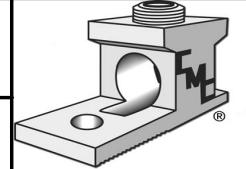


SCREWS ARE SUPPLIED WITH  
CONNECTOR AND COMES  
FULLY ASSEMBLED.



FINISH: TIN PLATED  
 MATERIAL: ALUMINUM  
 CONDUCTOR RANGE: 250 KCMIL - #6 AWG  
 DUAL-RATED CONDUCTORS  
 (ALUMINUM OR COPPER)  
 CERTIFICATION: 

					TO ORDER CMC PRODUCTS CALL 1-513-860-4455  FOR PRODUCT INFO: <a href="http://www.cmclugs.com">http://www.cmclugs.com</a>	DRAWN BY: 02/07/18	NAME OF PART: SPLICER-REDUCER ASSEMBLY	CAT. NO.: SR-250
						CHECKED BY:	DWG NO: C00496057-S	A
A	NEW DRAWING CREATED		02/07/18	TS		DRAWING NOT TO SCALE		SHEET NO: 1 OF 1
REV.	DESCRIPTION	ECN	DATE	INIT.				



THIS INFORMATION IS PROPRIETARY TO CONNECTOR MFG. CO. AND IS NOT TO BE DISCLOSED OUTSIDE OF CONNECTOR MFG. CO. WITHOUT A CONFIDENTIALITY AGREEMENT



**CONNECTOR MANUFACTURING CO.**

HAMILTON, OHIO