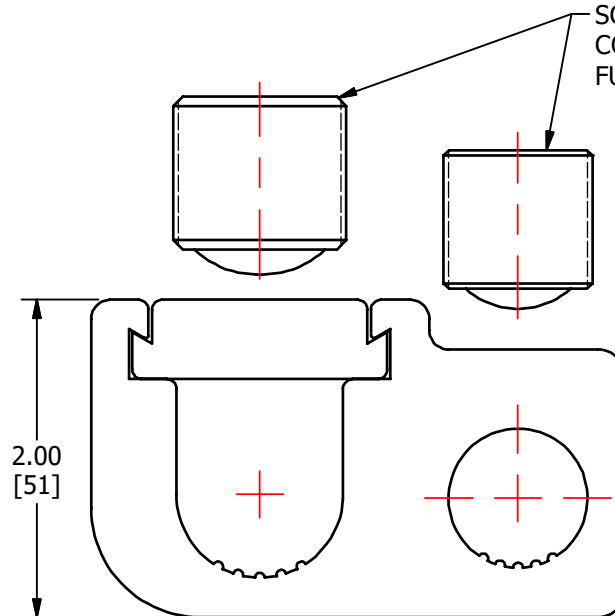


SCREWS ARE SUPPLIED WITH CONNECTOR AND COMES FULLY ASSEMBLED.



MATERIAL: ALUMINUM

FINISH: TIN PLATE

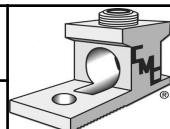
CONDUCTOR RANGE:

MAIN: 750 KCMIL - 500 MCM

TAP: 500-2

(AL-CU)

CERTIFICATION:  

				TO ORDER CMC PRODUCTS		DRAWN BY: TS		NAME OF PART:		CAT. NO.:	
				UNITED STATES 1-513-860-4455		08-14-20		GUTTER TAP ASSEMBLY		GPT-750	
				CANADA 1-800-361-6975		CHECKED BY:		DWG NO:		A	
				MEXICO 011-52-722-265-4400				C00496096-S			
A NEW DRAWING CREATED				08-14-20 TS		DRAWING NOT TO SCALE			SHEET NO: 1 OF 1		
REV.	DESCRIPTION			ECN	DATE	INIT.					

THIS INFORMATION IS PROPRIETARY TO CONNECTOR MFG. CO. AND IS NOT TO BE DISCLOSED OUTSIDE OF CONNECTOR MFG. CO. WITHOUT A CONFIDENTIALITY AGREEMENT



CONNECTOR MANUFACTURING CO.

HAMILTON, OHIO