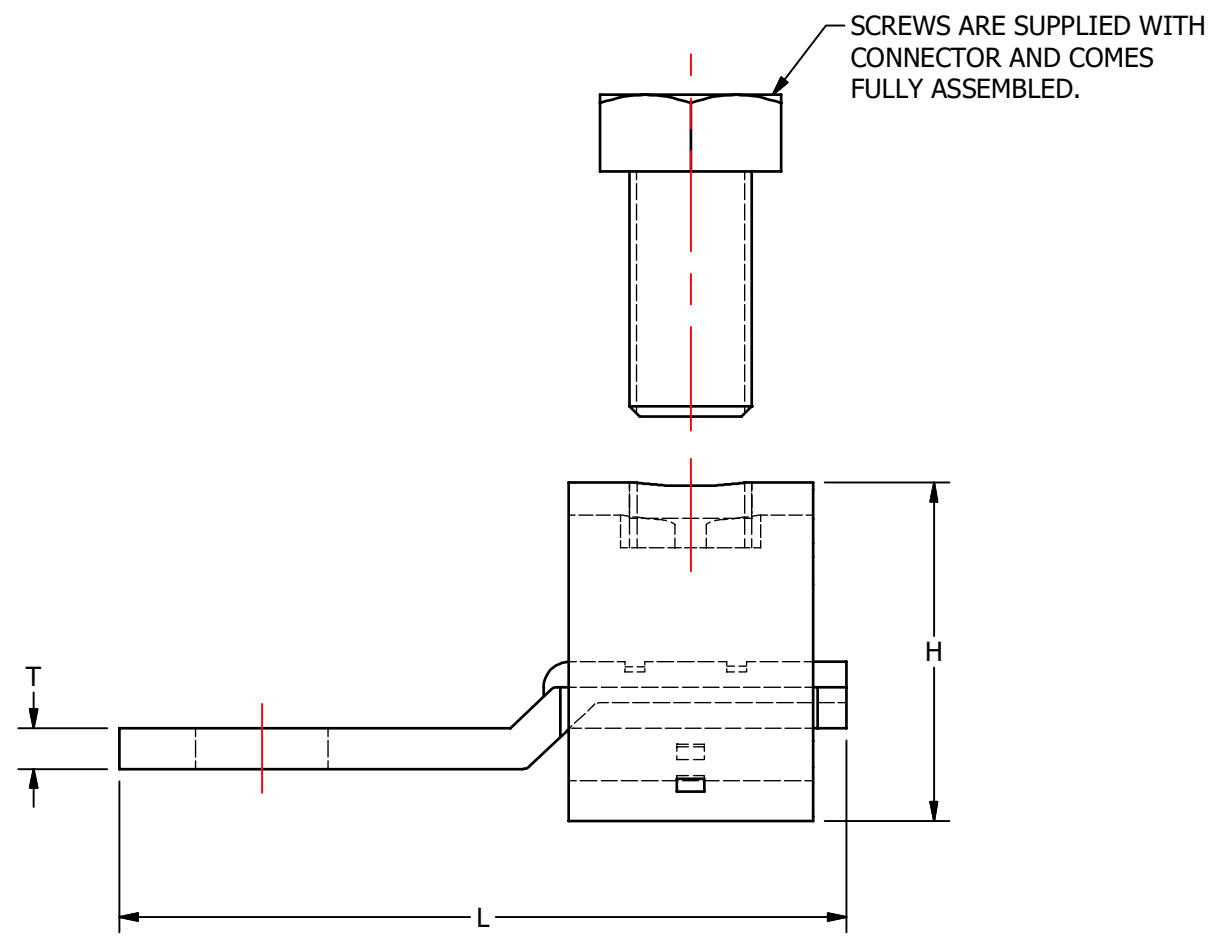
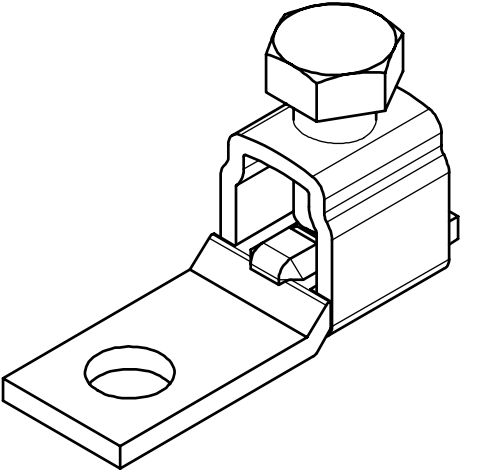
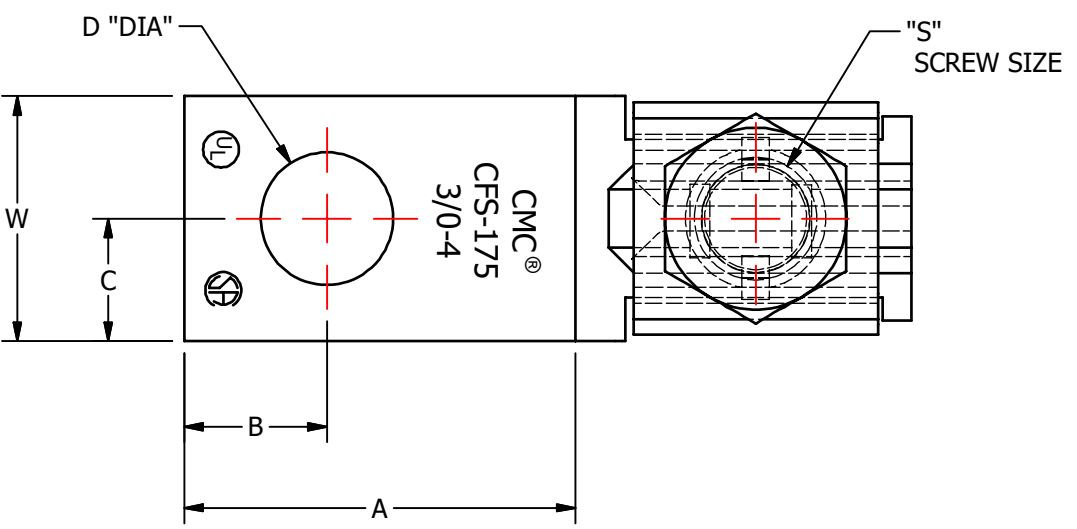


| S.NO | CATALOG NUMBER | L | H | T | W | A | B | C | D | S | CONDUCTOR SIZE |
|------|----------------|--------------|--------------|-------------|--------------|--------------|--------------|--------------|-------------|---------|----------------|
| 1 | CFS-90 | 1.46 [37] | 0.71 [18] | .09 [2] | 0.50 [13] | 0.75 [19] | 0.25 [6] | 0.25 [6] | .27 [7] | 5/16-24 | 8 TO 2 AWG |
| 2 | CFS-125 | 1.94 [49] | 0.88 [22] | .13 [3] | 0.62 [16] | 1.00 [25] | 0.44 [11] | 0.31 [8] | .27 [7] | 3/8-24 | 1/0 TO 2 AWG |
| 3 | CFS-175 | 2.23 [57] | 1.03 [26] | 0.13 [3] | 0.75 [19] | 1.20 [30] | 0.44 [11] | 0.38 [10] | .41 [10] | 3/8-24 | 3/0 TO 4 AWG |
| 4 | CFS-225 | 2.38 [60] | 1.20 [30] | 0.13 [3] | 1.00 [25] | 1.00 [25] | 0.50 [13] | 0.50 [13] | 0.34 [9] | 7/16-20 | 4/0 TO 2 AWG |



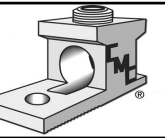
FINISH: CLEAN ONLY
MATERIAL: COPPER

| | | | | | | | | |
|----------------------|---------------------|-----|----------|-------|--|---|---|------------------------|
| REV. | DESCRIPTION | ECN | DATE | INIT. | TO ORDER CMC PRODUCTS CALL 1-513-860-4455 FOR PRODUCT INFO: http://www.cmclugs.com | DRAWN BY: TS 07-24-19 CHECKED BY: | NAME OF PART: TANG ASSEMBLY DWG NO: C00497010-S(CHARTED) | CAT. NO.: SEE TABLE |
| A | NEW DRAWING CREATED | | 07-24-19 | TS | | | | |
| DRAWING NOT TO SCALE | | | | | | SHEET NO: 1 OF 1 | | |

THIS INFORMATION IS PROPRIETARY TO CONNECTOR MFG. CO. AND IS NOT TO BE DISCLOSED OUTSIDE OF CONNECTOR MFG. CO. WITHOUT A CONFIDENTIALITY AGREEMENT



CONNECTOR MANUFACTURING CO.



HAMILTON, OHIO