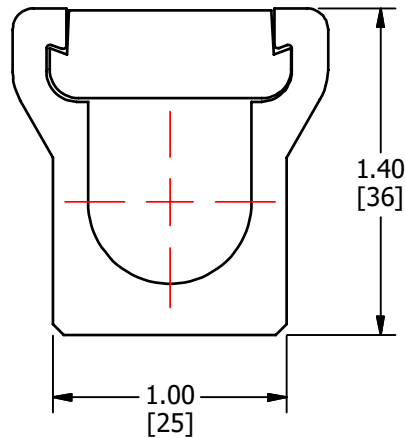
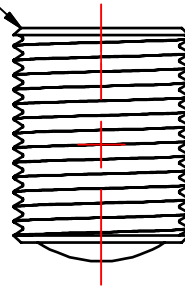


SCREWS ARE SUPPLIED WITH CONNECTOR AND COMES FULLY ASSEMBLED.



FINISH: TIN PLATED

MATERIAL: ALUMINUM

CONDUCTOR RANGE: 350 KCMIL-6 AWG

DUAL-RATED CONDUCTORS

(ALUMINUM OR COPPER)

CERTIFICATION:

					TO ORDER CMC PRODUCTS	DRAWN BY: TS	NAME OF PART:	CAT. NO.:
					UNITED STATES 1-513-860-4455	11-05-20	LAY-IN ASSEMBLY	LI-3501
					CANADA 1-800-361-6975	CHECKED BY:	DWG NO:	A
					MEXICO 011-52-722-265-4400		C05496035-S	
A	NEW DRAWING CREATED		11-05-20	TS	FOR PRODUCT INFO www.cmdlugs.com	DRAWING NOT TO SCALE		SHEET NO: 1 OF 1
REV.	DESCRIPTION	ECN	DATE	INIT.				

THIS INFORMATION IS PROPRIETARY TO CONNECTOR MFG. CO. AND IS NOT TO BE DISCLOSED OUTSIDE OF CONNECTOR MFG. CO. WITHOUT A CONFIDENTIALITY AGREEMENT



CONNECTOR MANUFACTURING CO.

HAMILTON, OHIO