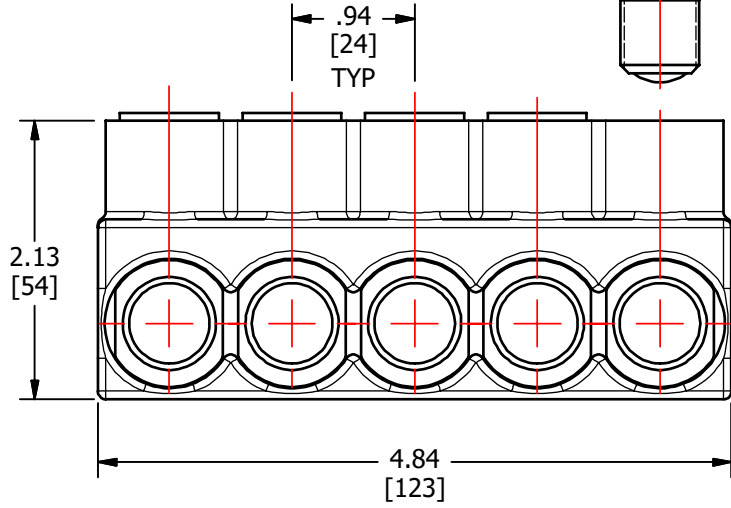
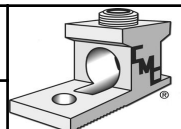


SCREWS ARE SUPPLIED WITH CONNECTOR AND COMES FULLY ASSEMBLED.



- CMC FLEX TAP IS AVAILABLE IN TWO THROUGH EIGHT CONDUCTOR CONFIGURATIONS IN FIVE CONDUCTOR SIZES.
- CONNECTOR FABRICATED FROM 6061-T6 ALUMINIUM ALLOY FOR CONDUCTIVITY AND STRENGTH.
- CONNECTOR IS ENCAPSULATED IN CLEAR PVC RATED AT 240 VOLTS PER MIL.
- CLEAR COVER ALLOWS VISUAL INSPECTION OF CONDUCTORS DURING INSTALLATION.
- FULLY TESTED TO ANSI C119.4 FOR CLASS 'A' CONNECTORS.
- CONDUCTOR RANGE: 250KCMIL-12 AWG

				TO ORDER CMC PRODUCTS		DRAWN BY: TS		NAME OF PART:		CAT. NO.:	
				UNITED STATES 1-513-860-4455		08-19-20		ENCAPSULATED BAR ASSEMBLY		NACC250-5B	
				CANADA 1-800-361-6975		CHECKED BY:		DWG NO:		A	
				MEXICO 011-52-722-265-4400				C19598003-S			
A NEW DRAWING CREATED				08-19-20		TS		DRAWING NOT TO SCALE		SHEET NO: 1 OF 1	
REV.	DESCRIPTION			ECN	DATE	INIT.					

THIS INFORMATION IS PROPRIETARY TO CONNECTOR MFG. CO. AND IS NOT TO BE DISCLOSED OUTSIDE OF CONNECTOR MFG. CO. WITHOUT A CONFIDENTIALITY AGREEMENT



CONNECTOR MANUFACTURING CO.

HAMILTON, OHIO