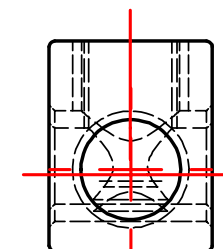
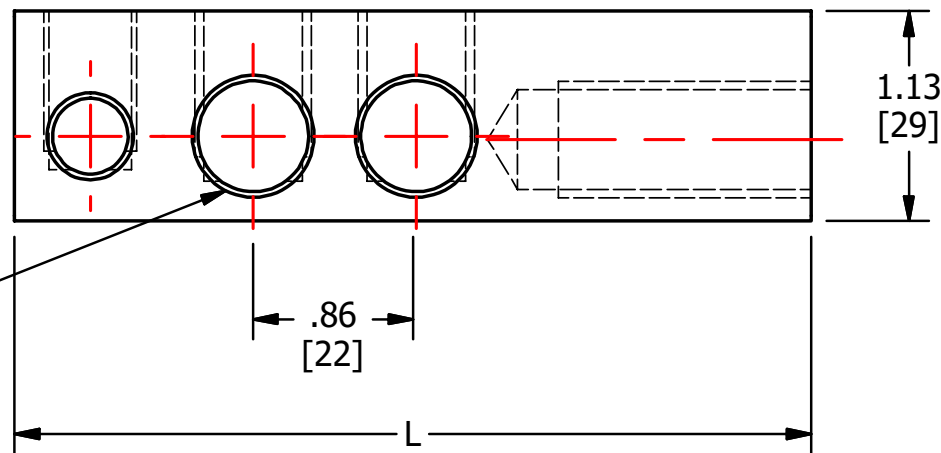
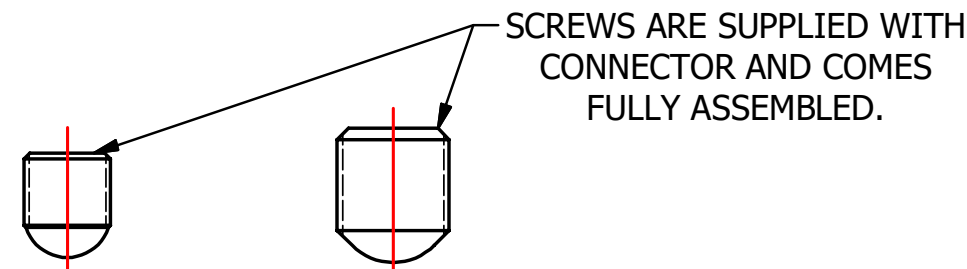
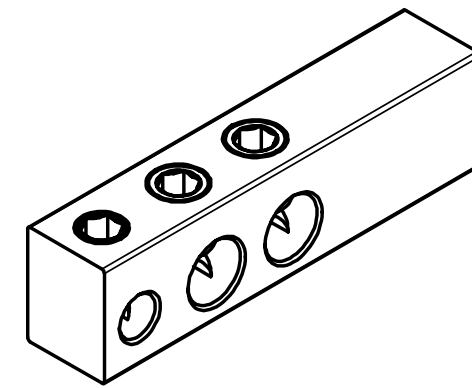
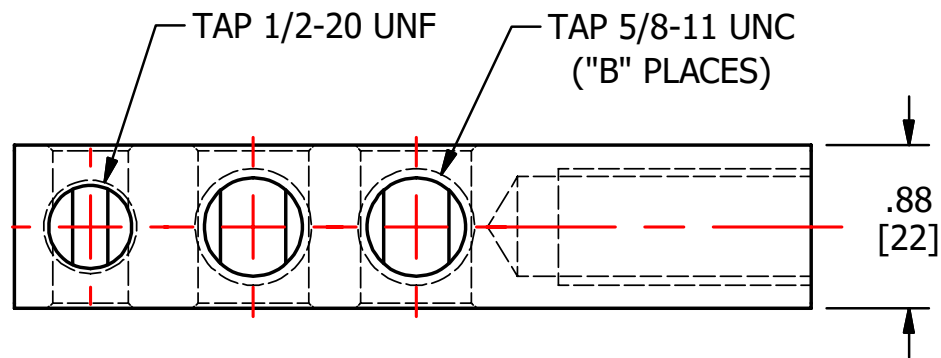


CATALOG NUMBER	L	B
NSM250-2SLI	4.27 [109]	2
NSM250-2SL	4.27 [109]	2
NSM250-3SL	5.15 [131]	3
NSM250-3SLI	5.15 [131]	3
NSM250-4SL	6.00 [153]	4
NSM250-4SLI	6.00 [153]	4
NSM250-6SL	7.78 [198]	6
NSM250-6SLI	7.78 [198]	6
NSM250-8SL	9.53 [242]	8
NSM250-8SLI	9.53 [242]	8

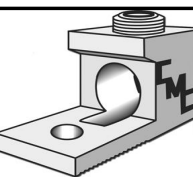


					TO ORDER CMC PRODUCTS CALL 1-513-860-4455	DRAWN BY: TS 11/19/18	NAME OF PART: STUD MOUNT CONNECTOR	CAT. NO.: SEE TABLE
					FOR PRODUCT INFO: http://www.cmclugs.com	CHECKED BY:	DWG NO: C58700216-S (CHARTED)	A
A	NEW DRAWING CREATED		11/19/18	TS		DRAWING NOT TO SCALE		SHEET NO: 1 OF 1
REV.	DESCRIPTION	ECN	DATE	INIT.				

THIS INFORMATION IS PROPRIETARY TO CONNECTOR MFG. CO. AND IS NOT TO BE DISCLOSED OUTSIDE OF CONNECTOR MFG. CO. WITHOUT A CONFIDENTIALITY AGREEMENT



CONNECTOR MANUFACTURING CO.



HAMILTON, OHIO