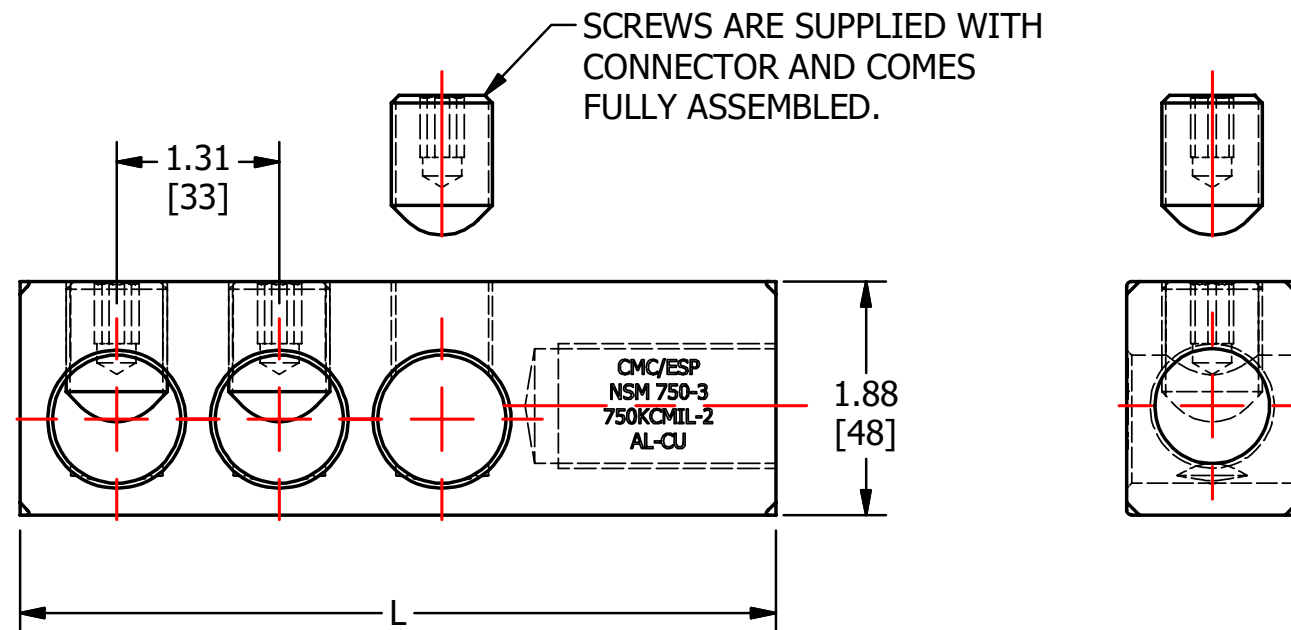
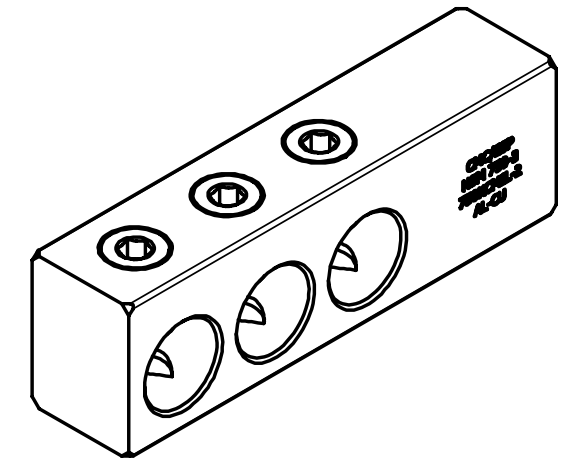
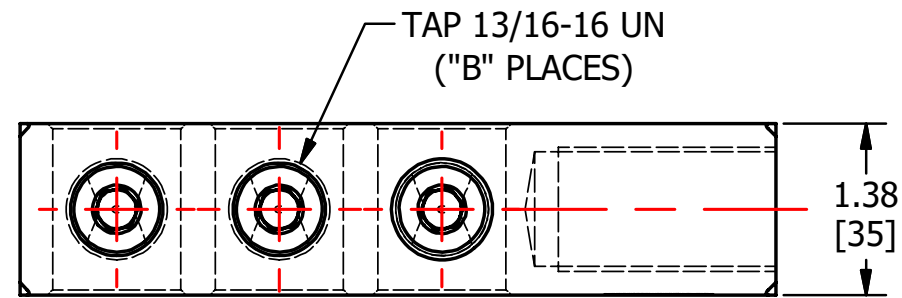


S.NO	CATALOG NUMBER	L	B
1	NSM750-2I	4.78 [121]	2
2	NSM750-2	4.78 [121]	2
3	NSM750-3I	6.09 [155]	3
4	NSM750-3	6.09 [155]	3
5	NSM750-4I	7.40 [188]	4
6	NSM750-4	7.40 [188]	4
7	NSM750-6I	10.02 [254]	6
8	NSM750-6	10.02 [254]	6
9	NSM750-8	12.64 [321]	8
10	NSM750-8I	12.64 [321]	8

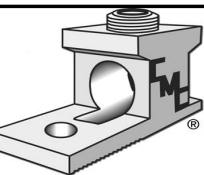


					TO ORDER CMC PRODUCTS CALL 1-513-860-4455	DRAWN BY: TS 02/05/19	NAME OF PART: STUD MOUNT CONNECTOR	CAT. NO.: SEE TABLE
					FOR PRODUCT INFO: http://www.cmclugs.com	CHECKED BY:	DWG NO: C58700255-S (CHARTED)	A
A	NEW DRAWING CREATED		02/05/19	TS		DRAWING NOT TO SCALE		SHEET NO: 1 OF 1
REV.	DESCRIPTION	ECN	DATE	INIT.				

THIS INFORMATION IS PROPRIETARY TO CONNECTOR MFG. CO. AND IS NOT TO BE DISCLOSED OUTSIDE OF CONNECTOR MFG. CO. WITHOUT A CONFIDENTIALITY AGREEMENT



CONNECTOR MANUFACTURING CO.



HAMILTON, OHIO