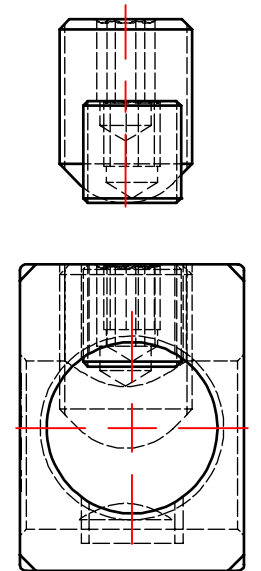
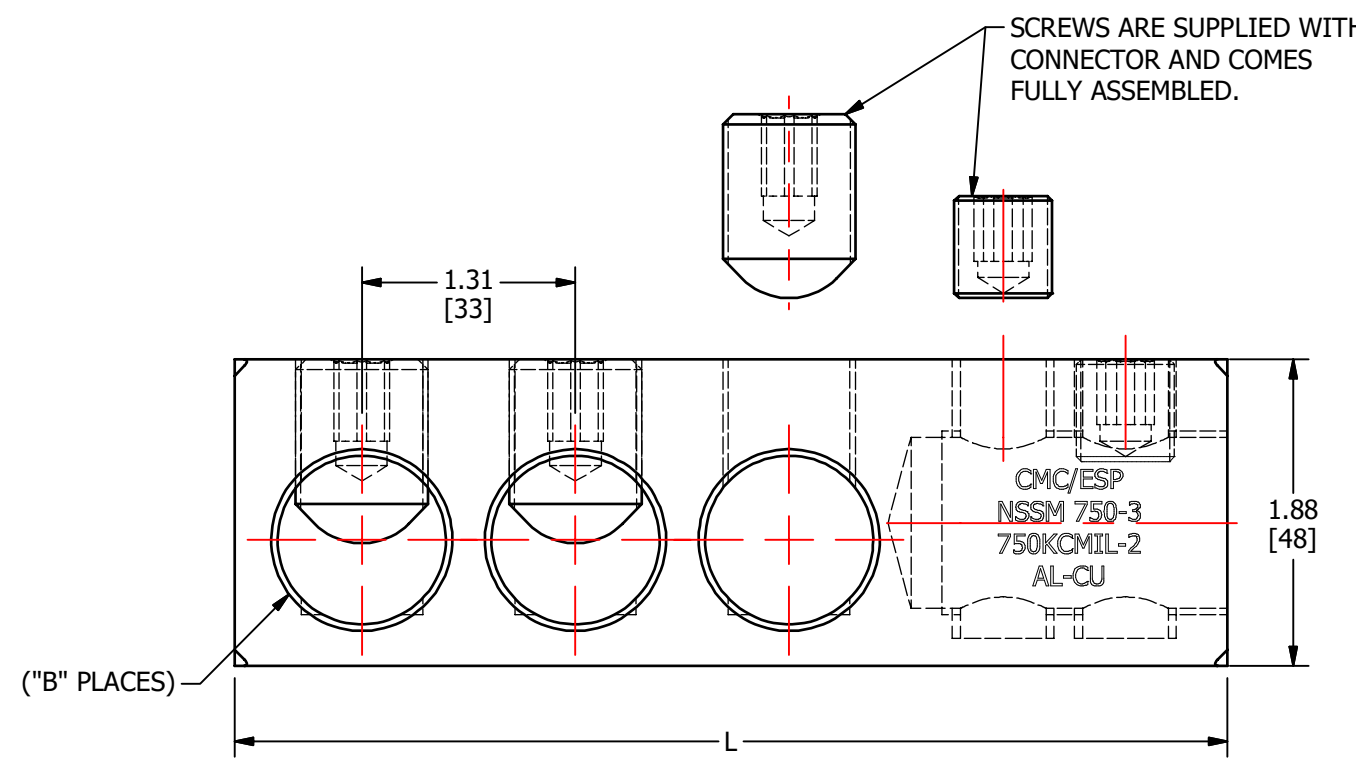
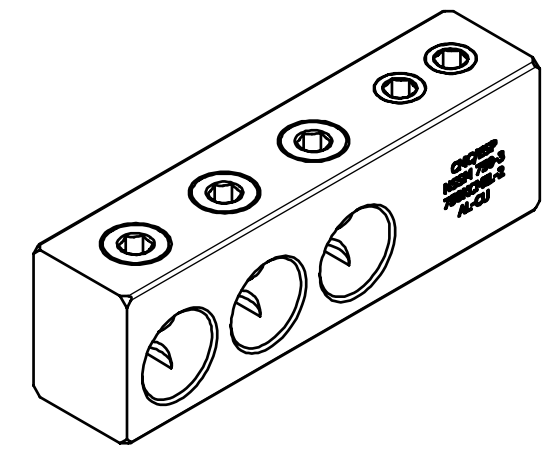
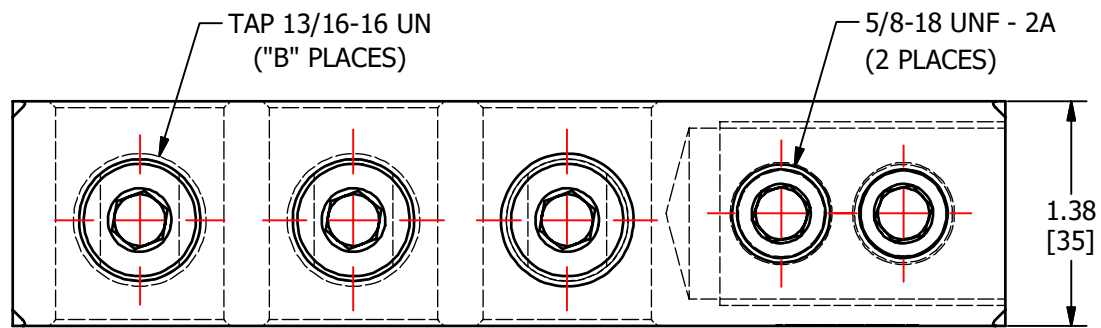


S.NO	CATALOG NUMBER	L	B
1	NSSM750-2I	4.78 [121]	2
2	NSSM750-2	4.78 [121]	2
3	NSSM750-3I	6.09 [155]	3
4	NSSM750-3	6.09 [155]	3
5	NSSM750-4I	7.40 [188]	4
6	NSSM750-4	7.40 [188]	4
7	NSSM750-4A	7.40 [188]	4
8	NSSM750-4AI	7.40 [188]	4
9	NSSM750-6I	10.02 [254]	6
10	NSSM750-6	10.02 [254]	6
11	NSSM750-8I	12.64 [321]	8
12	NSSM750-8	12.64 [321]	8

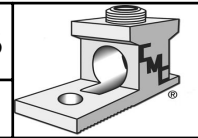


						DRAWN BY: TS 02/04/19 CHECKED BY:	NAME OF PART: <b>STUD MOUNT CONNECTOR</b> DWG NO: C58700345-S (CHARTED)	CAT. NO.: SEE TABLE
A	NEW DRAWING CREATED		02/04/19	TS	TO ORDER CMC PRODUCTS CALL 1-513-860-4455 FOR PRODUCT INFO: <a href="http://www.cmclugs.com">http://www.cmclugs.com</a>	DRAWING NOT TO SCALE		SHEET NO: 1 OF 1
REV.	DESCRIPTION	ECN	DATE	INIT.				

THIS INFORMATION IS PROPRIETARY TO CONNECTOR MFG. CO. AND IS NOT TO BE DISCLOSED OUTSIDE OF CONNECTOR MFG. CO. WITHOUT A CONFIDENTIALITY AGREEMENT



**CONNECTOR MANUFACTURING CO.**



HAMILTON, OHIO