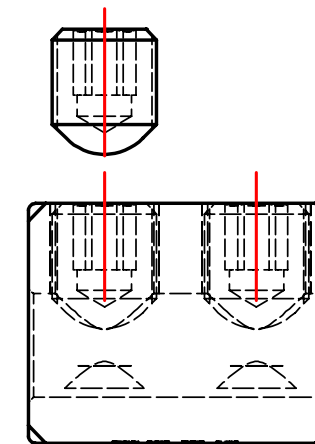
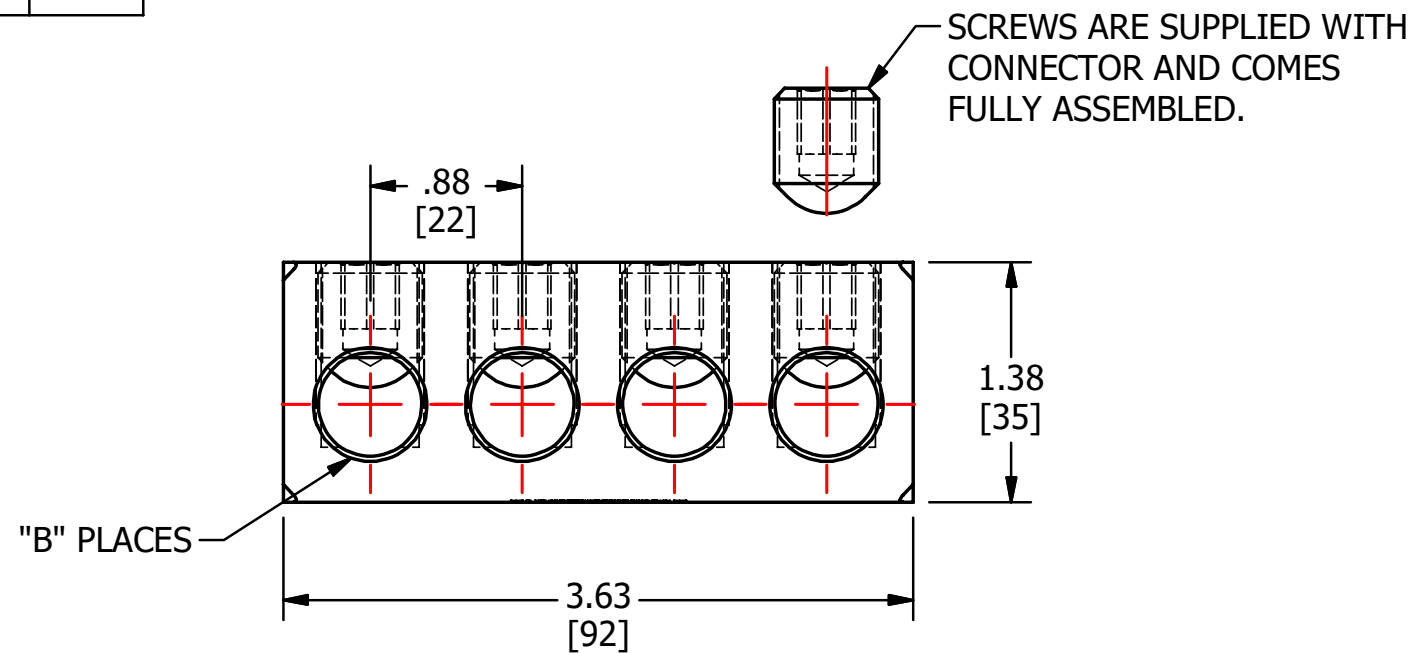
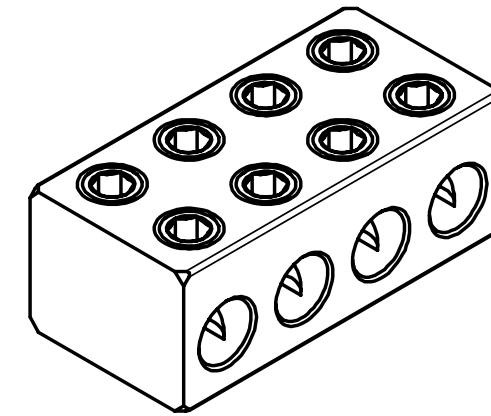
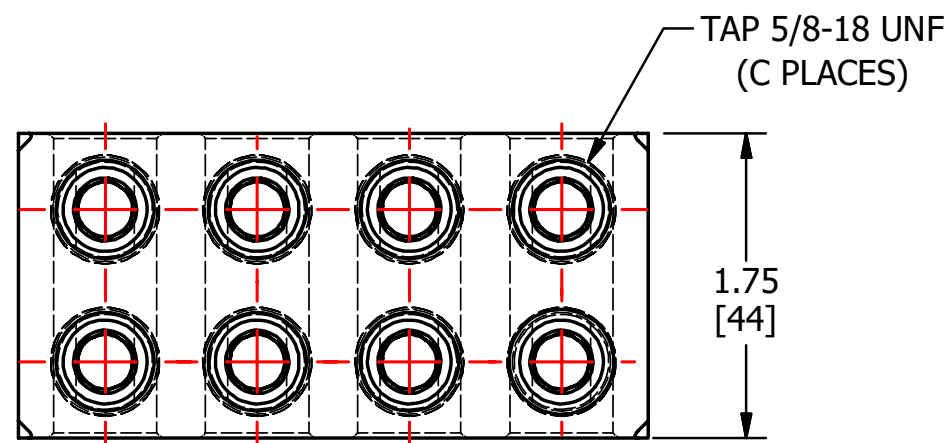


S.NO	CATALOG NUMBER	L	B	C
1	ND250-4	3.63 [92]	4	8
2	ND250-4I	3.63 [92]	4	8
3	ND250-6I	5.38 [137]	6	12
4	ND250-8	7.13 [181]	8	16
5	ND250-8I	7.13 [181]	8	16



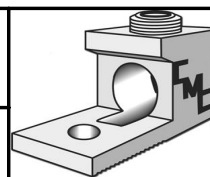
CMC/ESP
ND 250-6
250 KCMIL-12
AL-CU

					TO ORDER CMC PRODUCTS CALL 1-513-860-4455	DRAWN BY: TS 03/05/19	NAME OF PART: DOUBLE PEDESTAL CONNECTOR ASSEMBLY	CAT. NO.: SEE TABLE
					FOR PRODUCT INFO: http://www.cmclugs.com	CHECKED BY:	DWG NO: C58700349-S (CHARTED)	A
A	NEW DRAWING CREATED		02/12/19	TS		DRAWING NOT TO SCALE		SHEET NO: 1 OF 1
REV.	DESCRIPTION	ECN	DATE	INIT.				

THIS INFORMATION IS PROPRIETARY TO CONNECTOR MFG. CO. AND IS NOT TO BE DISCLOSED OUTSIDE OF CONNECTOR MFG. CO. WITHOUT A CONFIDENTIALITY AGREEMENT



CONNECTOR MANUFACTURING CO.



HAMILTON, OHIO