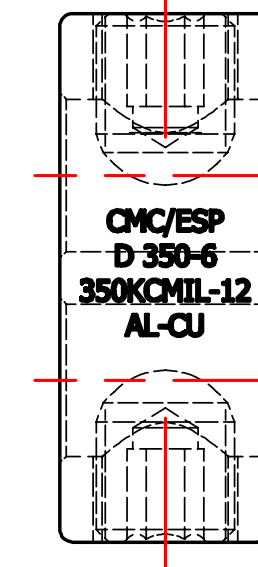
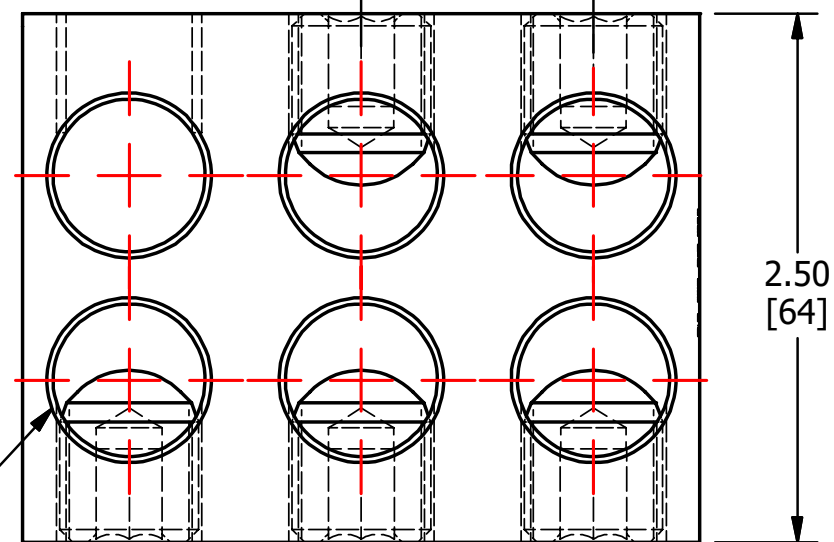
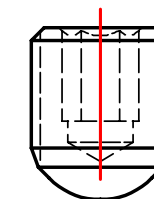
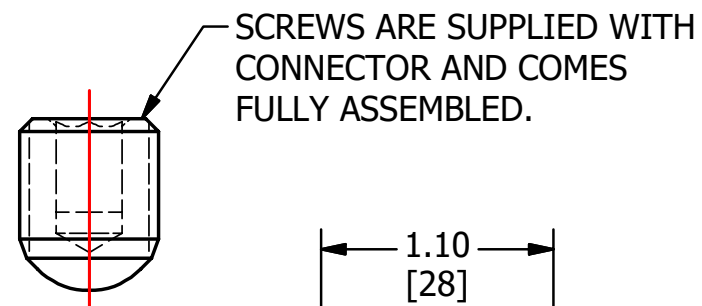
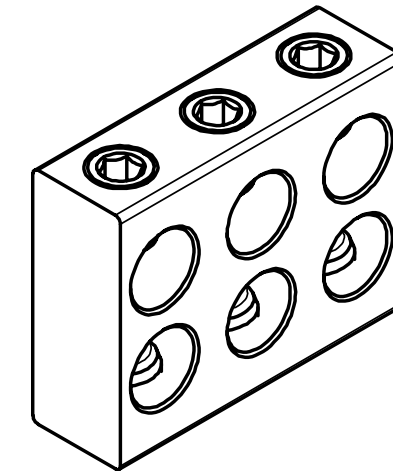
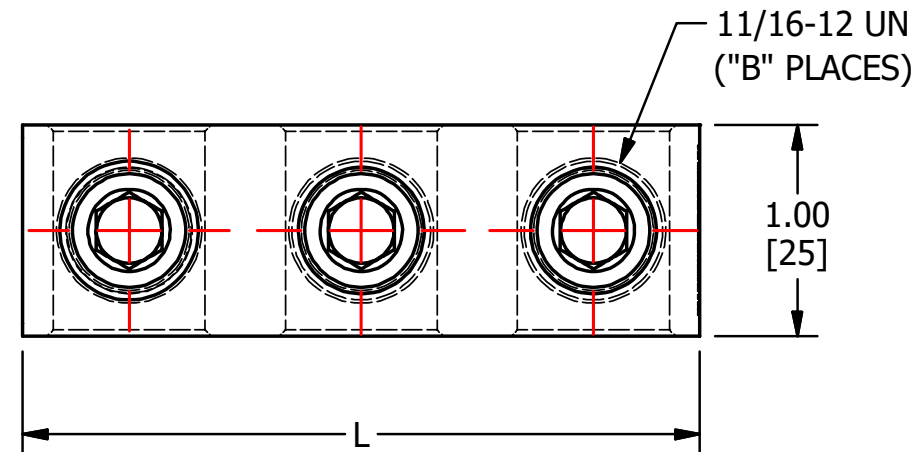


S.NO	CATALOG NUMBER	L	B
1	D350-4I	2.10 [53]	4
2	D350-4	2.10 [53]	4
3	D350-6I	3.21 [81]	6
4	D350-6	3.21 [81]	6

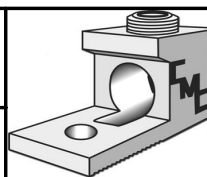


					TO ORDER CMC PRODUCTS CALL 1-513-860-4455	DRAWN BY: TS 03/11/19	NAME OF PART: PEDESTAL CONNECTOR ASSEMBLY	CAT. NO.: SEE TABLE
					FOR PRODUCT INFO: http://www.cmclugs.com	CHECKED BY:	DWG NO: C58700352-S (CHARTED)	A
A	NEW DRAWING CREATED		02/12/19	TS		DRAWING NOT TO SCALE		SHEET NO: 1 OF 1
REV.	DESCRIPTION	ECN	DATE	INIT.				

THIS INFORMATION IS PROPRIETARY TO CONNECTOR MFG. CO. AND IS NOT TO BE DISCLOSED OUTSIDE OF CONNECTOR MFG. CO. WITHOUT A CONFIDENTIALITY AGREEMENT



CONNECTOR MANUFACTURING CO.



HAMILTON, OHIO