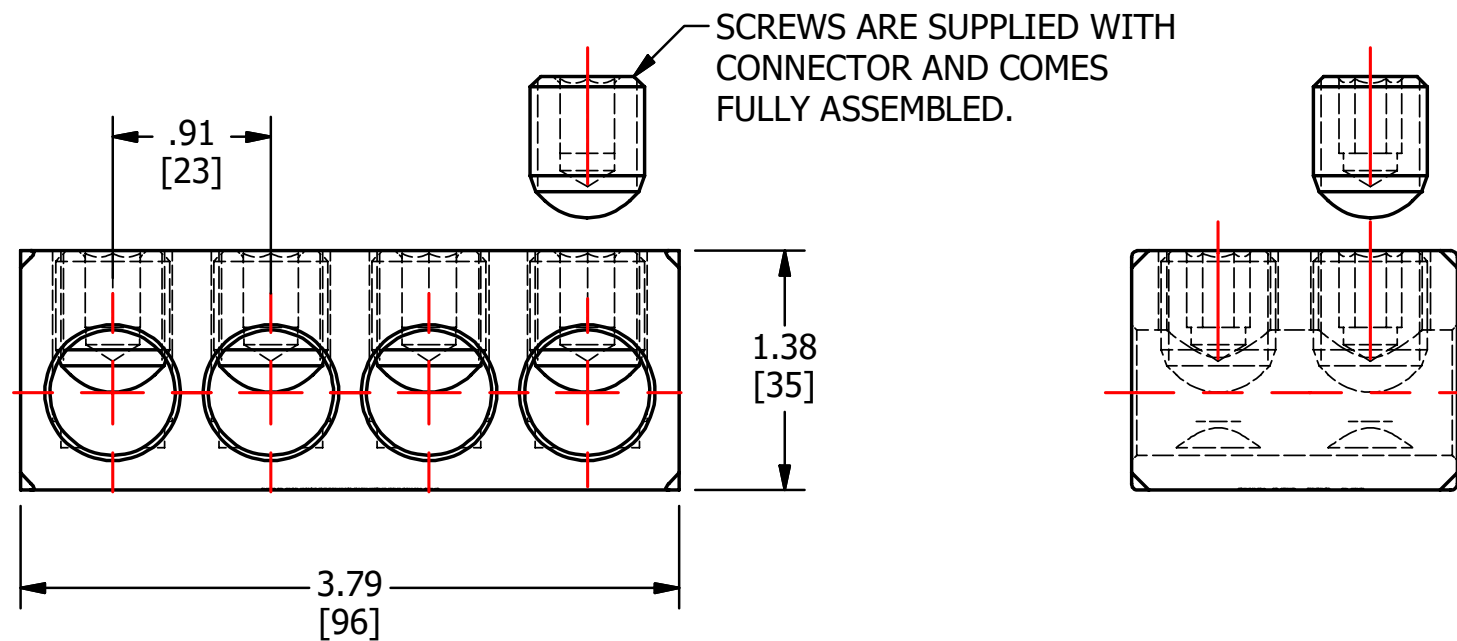
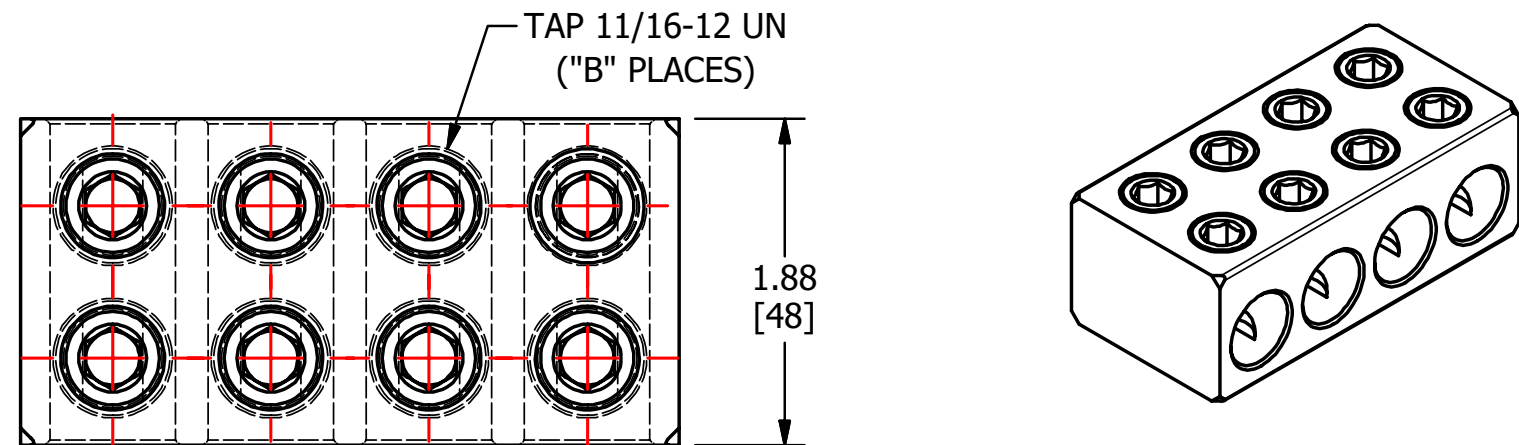


S.NO	CATALOG NUMBER	L	B
1	ND350-4	3.79 [96]	4
2	ND350-4I	3.79 [96]	4
3	ND350-6	5.61 [142]	6
4	ND350-6I	5.61 [142]	6
5	ND350-8	7.43 [189]	8
6	ND350-8I	7.43 [189]	8



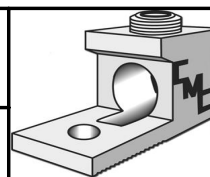
CMC/ESP
ND 350-4
350 KCMIL-12
AL-CU

					TO ORDER CMC PRODUCTS CALL 1-513-860-4455	DRAWN BY: TS 03/08/19	NAME OF PART: PEDESTAL CONNECTOR ASSEMBLY	CAT. NO.: SEE TABLE
					FOR PRODUCT INFO: http://www.cmclugs.com	CHECKED BY:	DWG NO: C58700361-S (CHARTED)	A
A	NEW DRAWING CREATED		02/12/19	TS		DRAWING NOT TO SCALE		SHEET NO: 1 OF 1
REV.	DESCRIPTION	ECN	DATE	INIT.				

THIS INFORMATION IS PROPRIETARY TO CONNECTOR MFG. CO. AND IS NOT TO BE DISCLOSED OUTSIDE OF CONNECTOR MFG. CO. WITHOUT A CONFIDENTIALITY AGREEMENT



CONNECTOR MANUFACTURING CO.



HAMILTON, OHIO