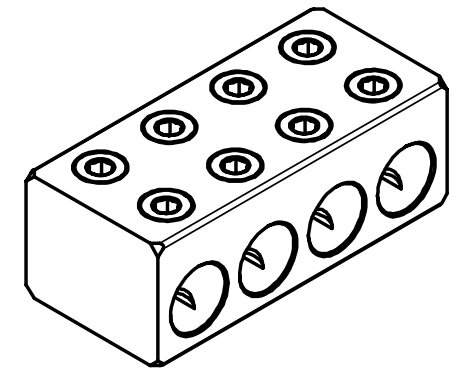
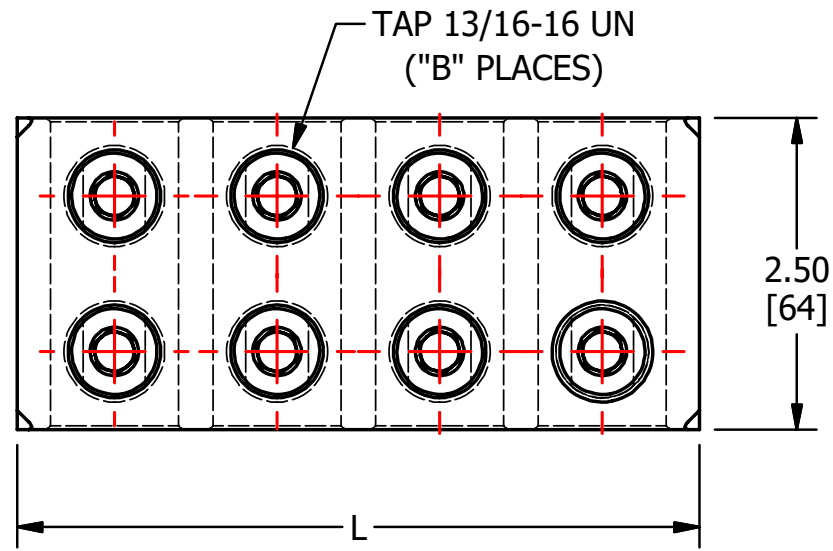
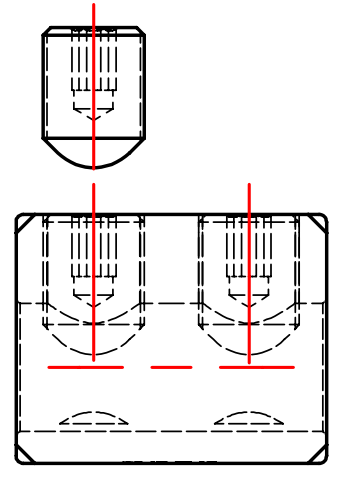
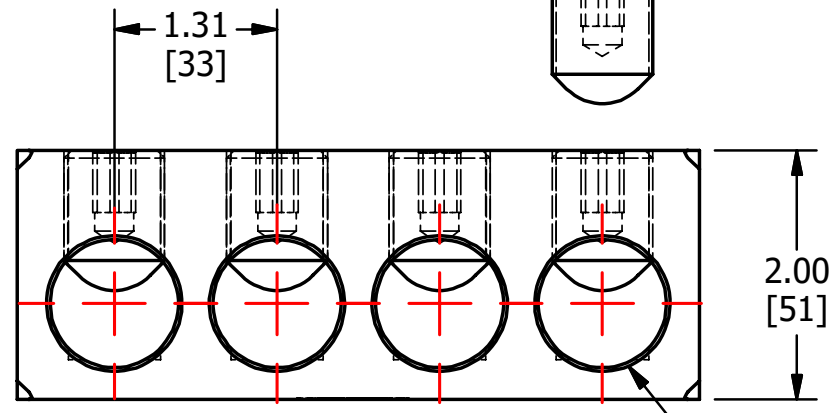


S.NO	CATALOG NUMBER	L	B
1	ND750-4	5.49 [139]	4
2	ND750-4I	5.49 [139]	4
3	ND750-6	8.11 [206]	6
4	ND750-6I	8.11 [206]	6
5	ND750-8	10.73 [273]	8
6	ND750-8I	10.73 [273]	8

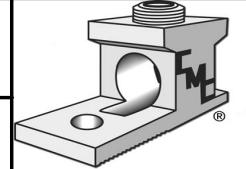


SCREWS ARE SUPPLIED WITH CONNECTOR AND COMES FULLY ASSEMBLED.



▽ IDEAL  
 ND 750-4  
 750 MCM-2  
 AL-CU

					TO ORDER CMC PRODUCTS CALL 1-513-860-4455	DRAWN BY: TS 03/11/19	NAME OF PART: PEDESTAL CONNECTOR ASSEMBLY	CAT. NO.: SEE TABLE
					FOR PRODUCT INFO: <a href="http://www.cmclugs.com">http://www.cmclugs.com</a>	CHECKED BY:	DWG NO: C58700441-S (CHARTED)	A
A	NEW DRAWING CREATED		02/12/19	TS		DRAWING NOT TO SCALE		SHEET NO: 1 OF 1
REV.	DESCRIPTION	ECN	DATE	INIT.				



THIS INFORMATION IS PROPRIETARY TO CONNECTOR MFG. CO. AND IS NOT TO BE DISCLOSED OUTSIDE OF CONNECTOR MFG. CO. WITHOUT A CONFIDENTIALITY AGREEMENT



**CONNECTOR MANUFACTURING CO.**

HAMILTON, OHIO