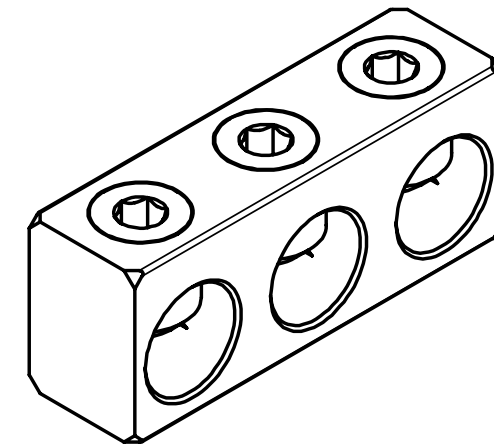
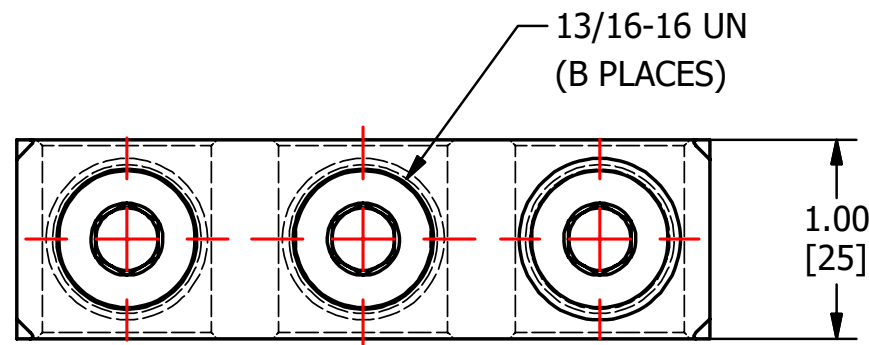


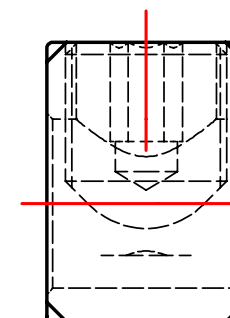
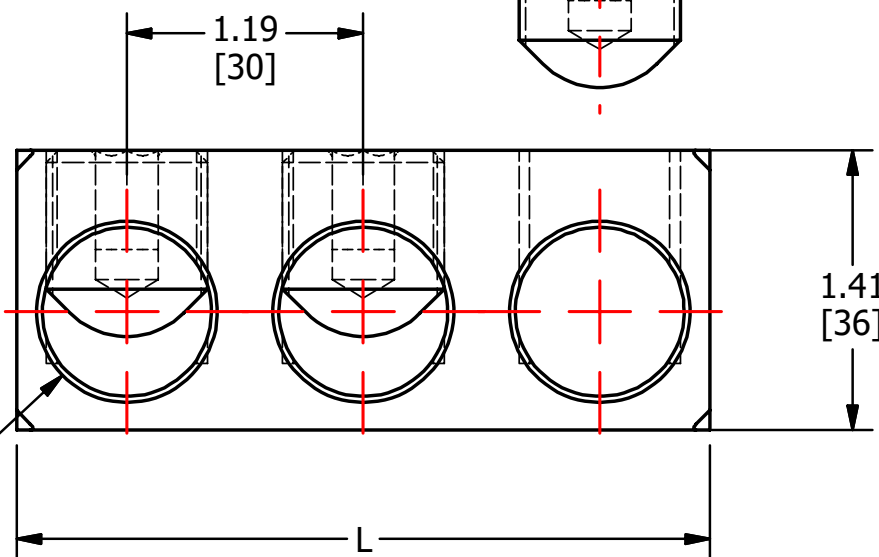
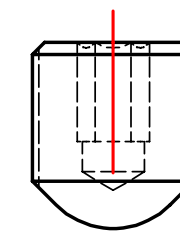
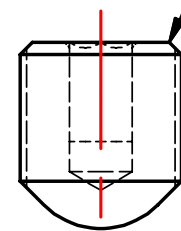
S.NO	CATALOG NUMBER	L	B
1	NA500-3	3.49 [89]	3
2	NA500-3I	3.49 [89]	3
3	NA500-4	4.68 [119]	4
4	NA500-4I	4.68 [119]	4
5	NA500-5	5.87 [149]	5
6	NA500-5I	5.87 [149]	5
7	NA500-6	7.06 [179]	6
8	NA500-6I	7.06 [179]	6
9	NA500-8	9.44 [240]	8
10	NA500-8I	9.44 [240]	8



MARKING

CMC
NA500-3
500KCMIL-10
AL-CU

SCREWS ARE SUPPLIED WITH CONNECTOR AND COMES FULLY ASSEMBLED.

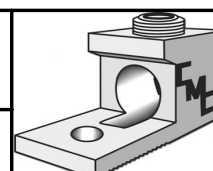


					TO ORDER CMC PRODUCTS CALL 1-513-860-4455	DRAWN BY: TS 02-26-2019	NAME OF PART: PEDESTAL CONNECTOR ASSEMBLY	CAT. NO.: SEE TABLE
					FOR PRODUCT INFO: http://www.cmclugs.com	CHECKED BY:	DWG NO: C58700460-S (CHARTED)	A
A	NEW DRAWING CREATED		02-12-2019	TS		DRAWING NOT TO SCALE		SHEET NO: 1 OF 1
REV.	DESCRIPTION	ECN	DATE	INIT.				

THIS INFORMATION IS PROPRIETARY TO CONNECTOR MFG. CO. AND IS NOT TO BE DISCLOSED OUTSIDE OF CONNECTOR MFG. CO. WITHOUT A CONFIDENTIALITY AGREEMENT



CONNECTOR MANUFACTURING CO.



HAMILTON, OHIO