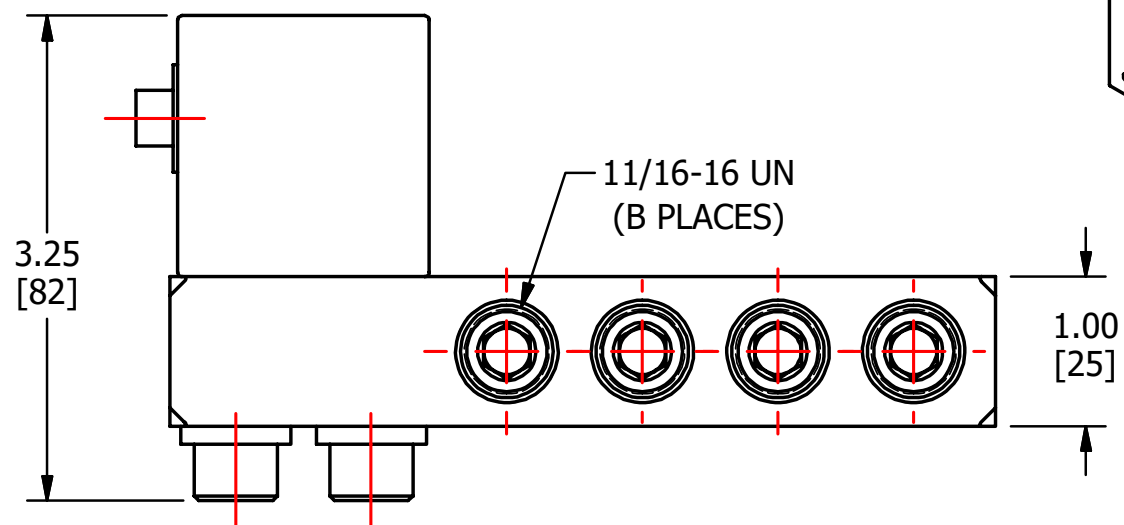
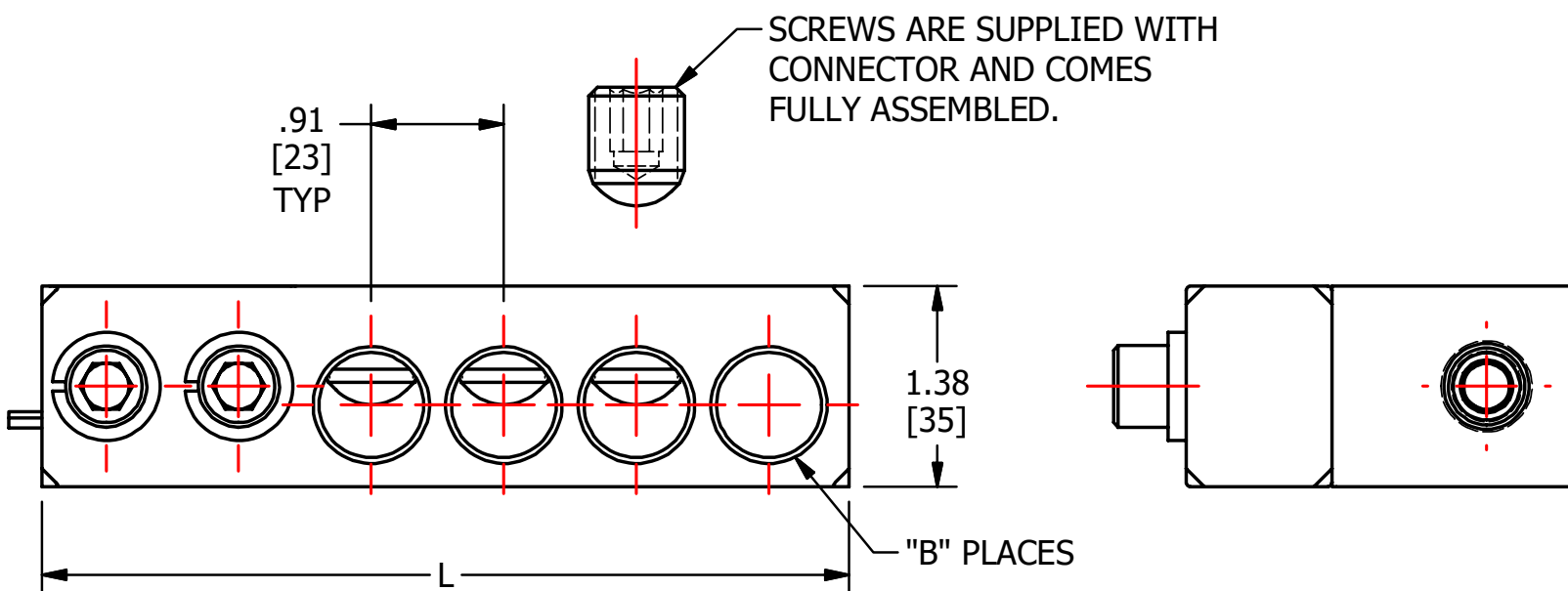


S.NO	CATALOG NUMBER	L	B
1	NSA350-4	5.54 [141]	4
2	NSA350-4I	5.54 [141]	4
3	NSA350-6	7.36 [187]	6
4	NSA350-6I	7.36 [187]	6
5	NSA350-8	9.18 [233]	8
6	NSA350-8I	9.18 [233]	8



MARKING

CMC/ESP
NSA-350-X
350KCMIL
AL-CU

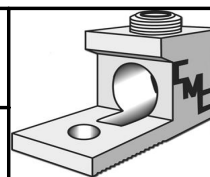


					TO ORDER CMC PRODUCTS CALL 1-513-860-4455	DRAWN BY: TS 12/12/18	NAME OF PART: PAD MOUNT CONNECTOR ASSEMBLY	CAT. NO.: SEE TABLE
					FOR PRODUCT INFO: http://www.cmclugs.com	CHECKED BY:	DWG NO: C58700469-S (CHARTED)	A
A	NEW DRAWING CREATED		12/12/18	TS		DRAWING NOT TO SCALE		SHEET NO: 1 OF 1
REV.	DESCRIPTION	ECN	DATE	INIT.				

THIS INFORMATION IS PROPRIETARY TO CONNECTOR MFG. CO. AND IS NOT TO BE DISCLOSED OUTSIDE OF CONNECTOR MFG. CO. WITHOUT A CONFIDENTIALITY AGREEMENT



CONNECTOR MANUFACTURING CO.



HAMILTON, OHIO