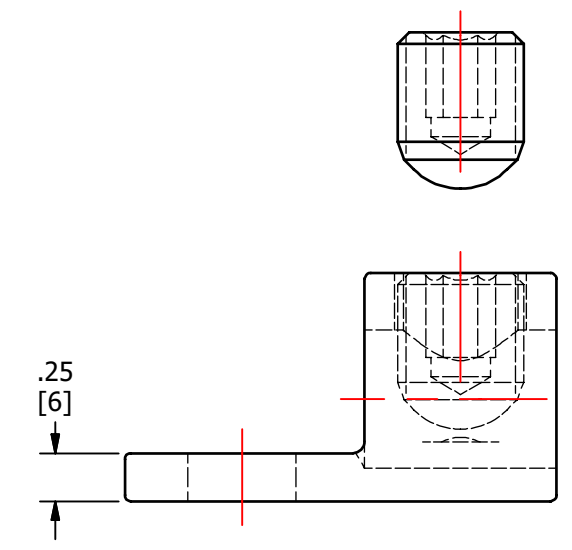
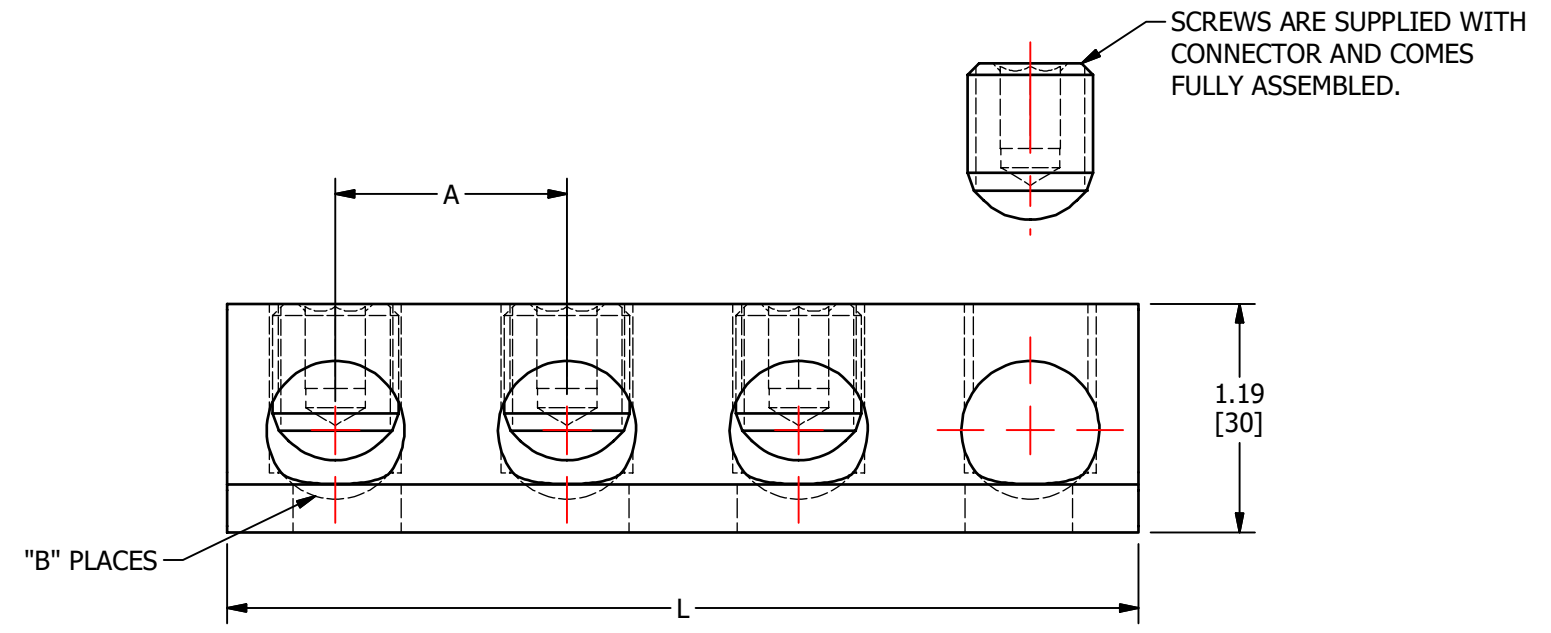
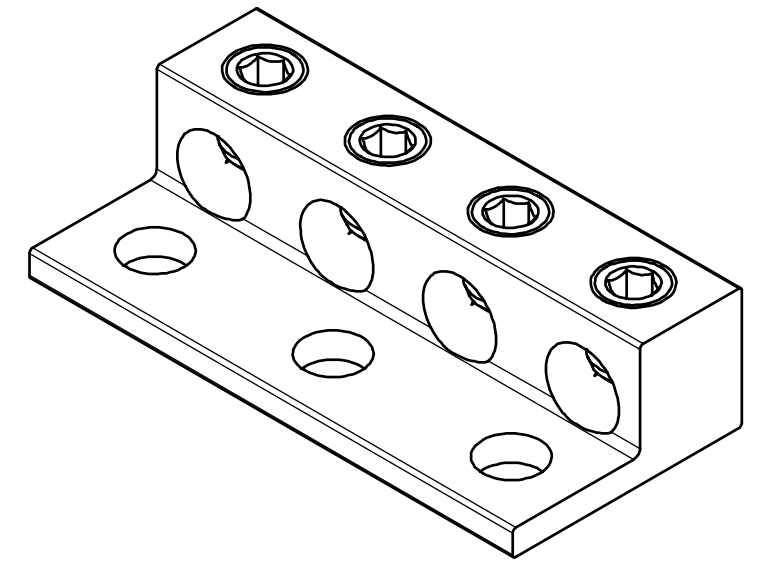
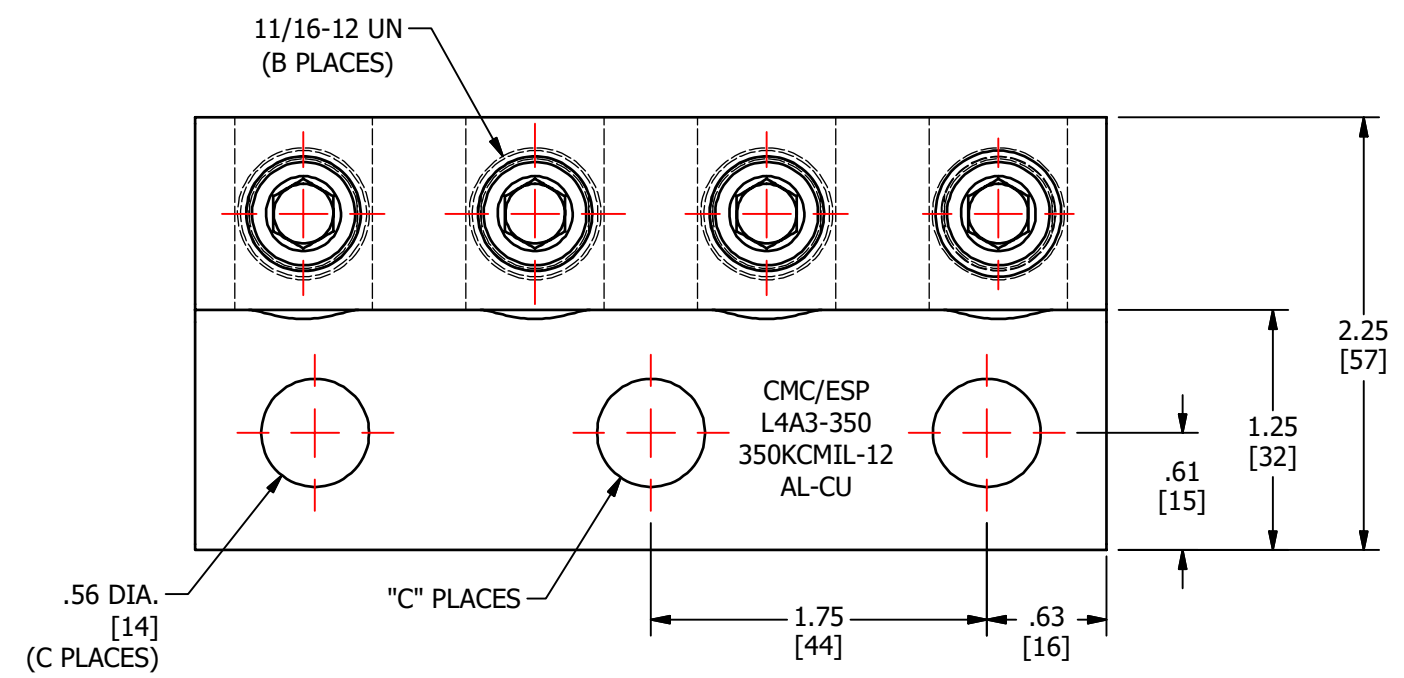


S.NO	CATALOG NUMBER	L	A	B	C
1	L2A2-350	3.00 [76]	1.54 [39]	2	2
2	L2A2-350I	3.00 [76]	1.54 [39]	2	2
3	L3A2-350	3.00 [76]	1.03 [26]	3	2
4	L3A2-350I	3.00 [76]	1.03 [26]	3	2
5	L4A3-350I	4.75 [121]	1.21 [31]	4	3

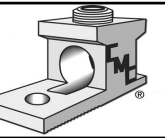


				DRAWN BY: TS 01/07/19		NAME OF PART: TRANSFORMER CONNECTOR		CAT. NO.: SEE TABLE	
				CHECKED BY:		DWG NO: C58700495I-S (CHARTED)		B	
A NEW DRAWING CREATED				01/07/19		TS		DRAWING NOT TO SCALE	
REV.	DESCRIPTION	ECN	DATE	INIT.	SHEET NO: 1 OF 1				

THIS INFORMATION IS PROPRIETARY TO CONNECTOR MFG. CO. AND IS NOT TO BE DISCLOSED OUTSIDE OF CONNECTOR MFG. CO. WITHOUT A CONFIDENTIALITY AGREEMENT



CONNECTOR MANUFACTURING CO.



HAMILTON, OHIO