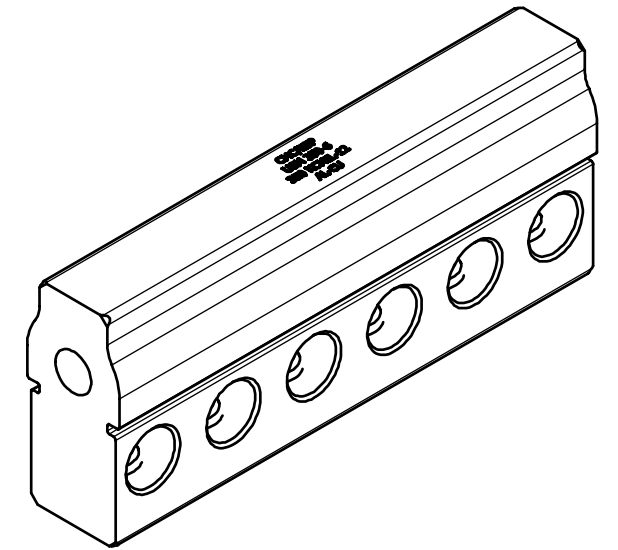
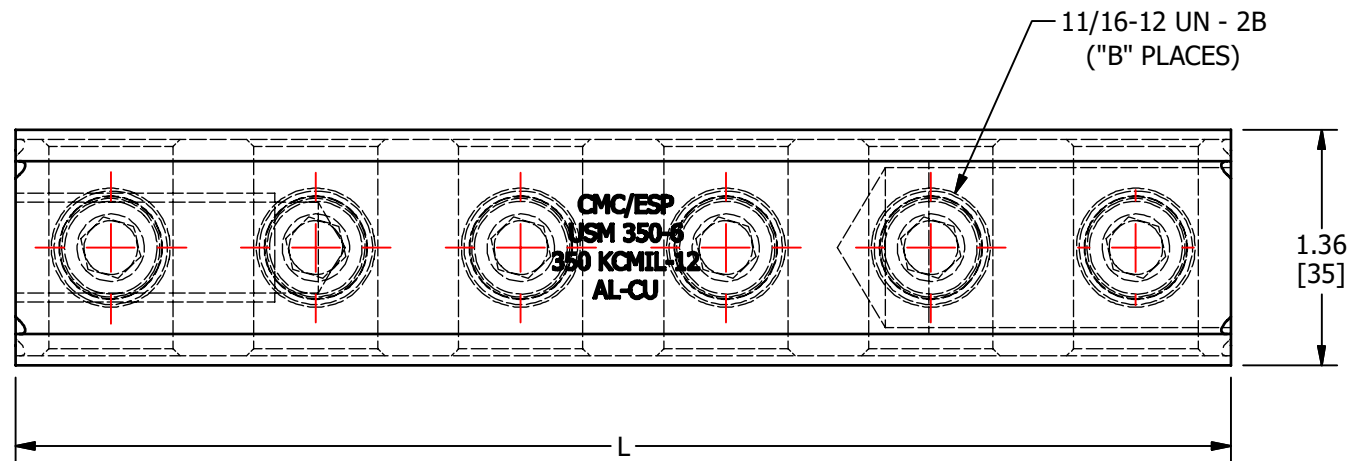
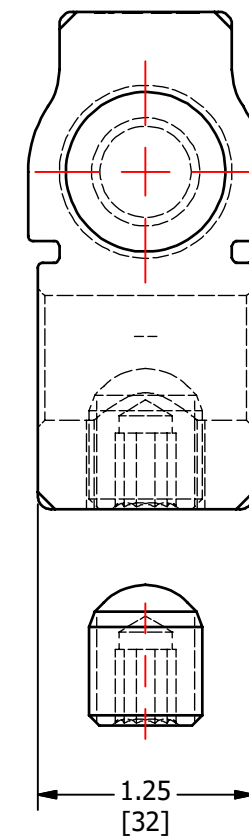
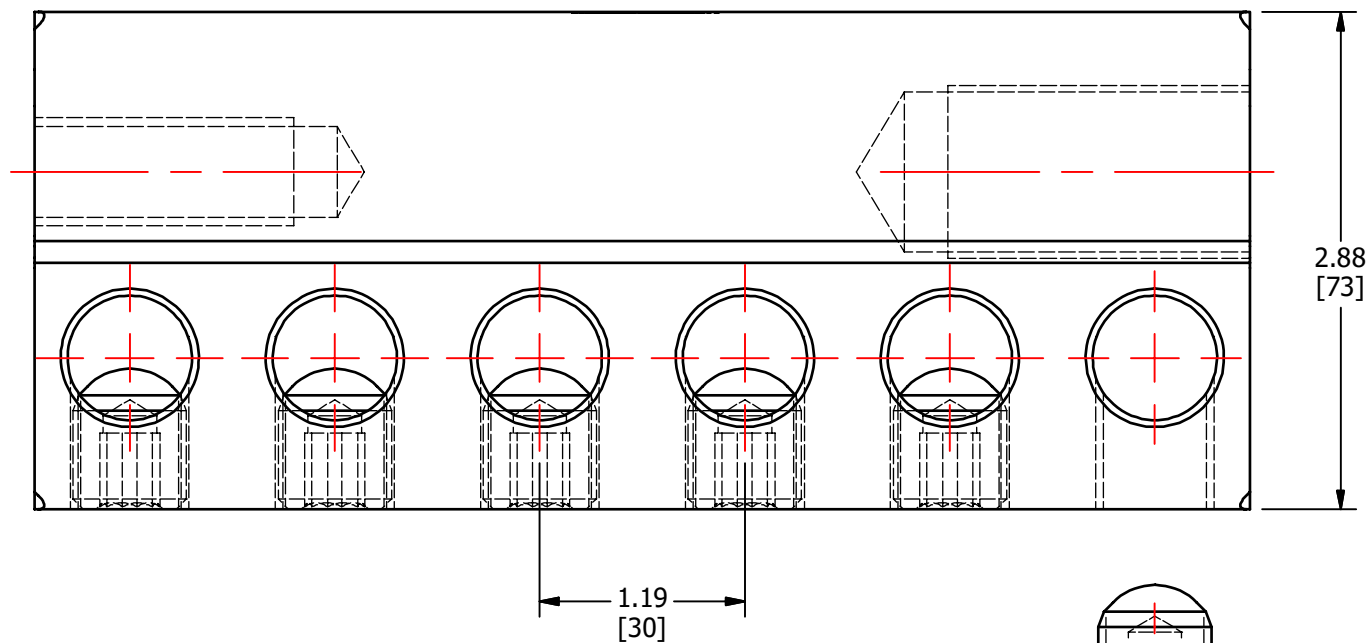


S.NO	CATALOG NUMBER	L	B
1	USM350-6I	7.04 [179]	6
2	USM350-6	7.04 [179]	6
3	USM350-8I	9.41 [239]	8
4	USM350-8	9.41 [239]	8



MARKING

CMC/ESP
USM 350-6
350 KCMIL-12
AL-CU



SCREWS ARE SUPPLIED WITH CONNECTOR AND COMES FULLY ASSEMBLED.

						TO ORDER CMC PRODUCTS CALL 1-513-860-4455	DRAWN BY: TS 02/08/19	NAME OF PART: UNIVERSAL STUD CONNECTOR	CAT. NO.: SEE TABLE
						FOR PRODUCT INFO: http://www.cmcclugs.com	CHECKED BY:	DWG NO: C58700503-S (CHARTED)	B
A	NEW DRAWING CREATED		02/08/19	TS			DRAWING NOT TO SCALE		SHEET NO: 1 OF 1
REV.	DESCRIPTION	ECN	DATE	INIT.					

THIS INFORMATION IS PROPRIETARY TO CONNECTOR MFG. CO. AND IS NOT TO BE DISCLOSED OUTSIDE OF CONNECTOR MFG. CO. WITHOUT A CONFIDENTIALITY AGREEMENT



CONNECTOR MANUFACTURING CO.

HAMILTON, OHIO

