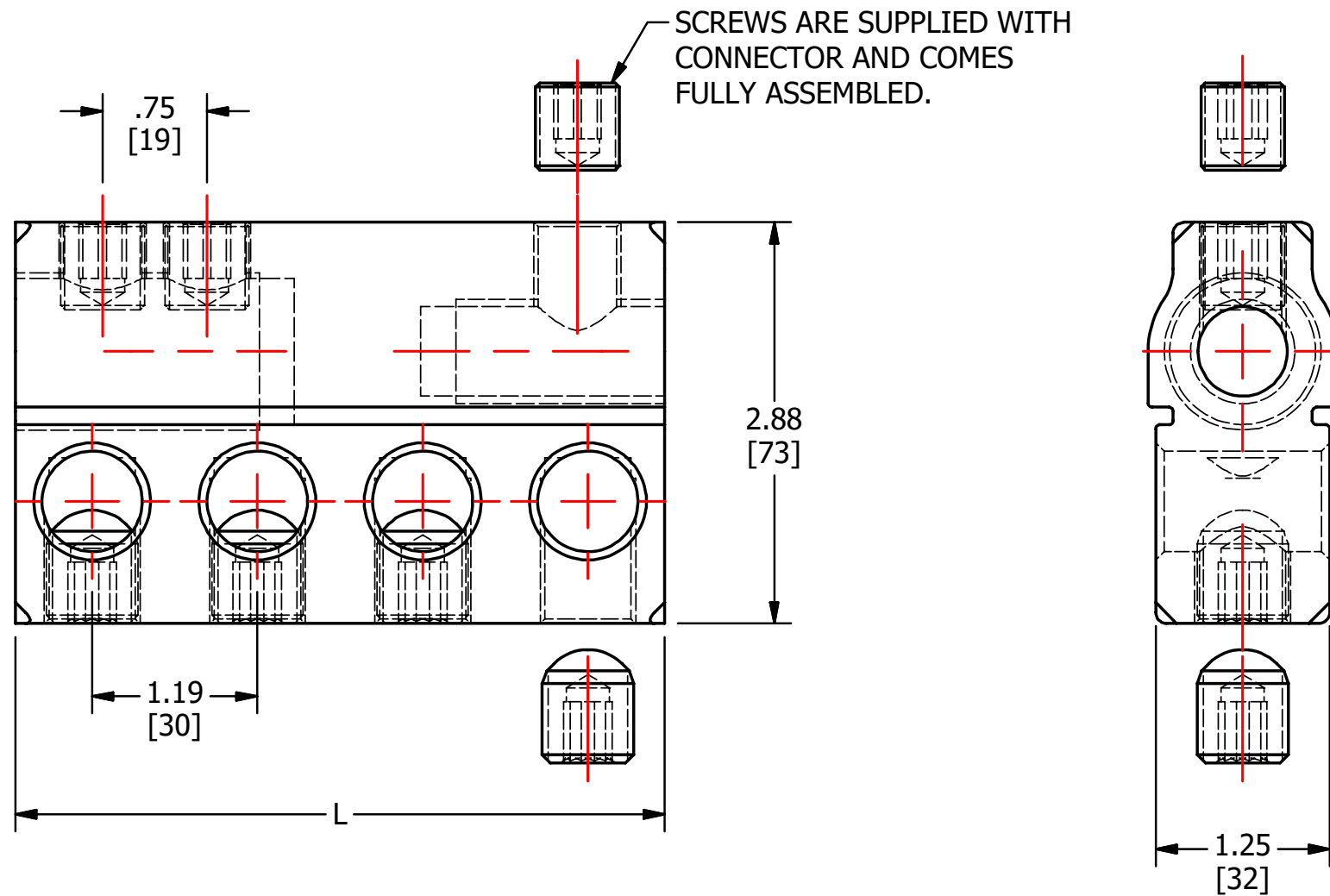
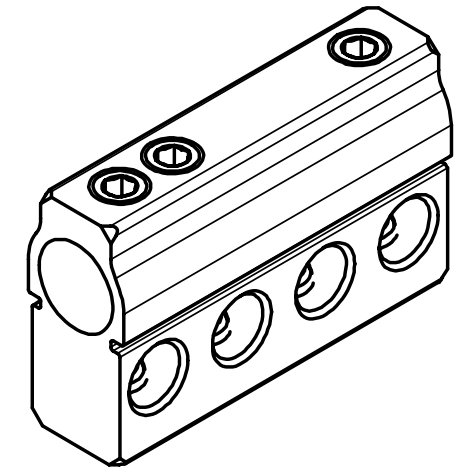
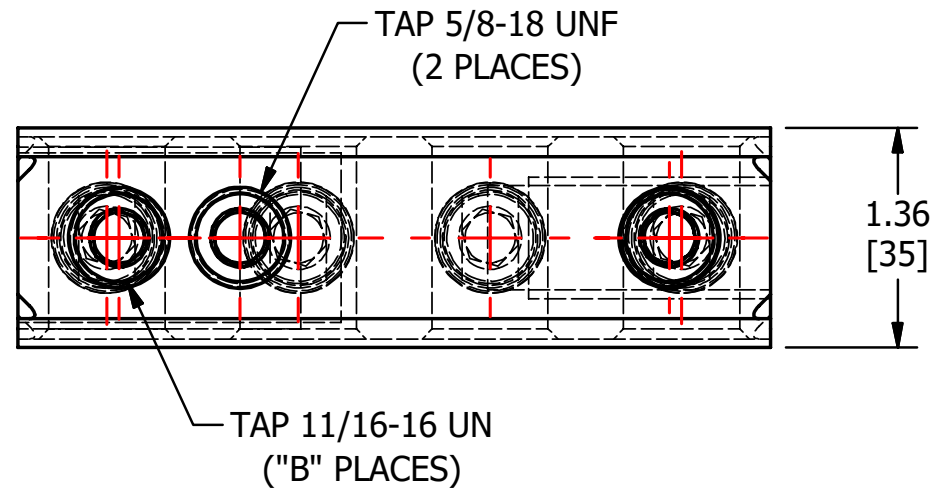


S.NO	CATALOG NUMBER	L	B
1	USSM350-4I	4.66 [118]	4
2	USSM350-4	4.66 [118]	4
3	USSM350-6I	7.04 [179]	6
4	USSM350-6	7.04 [179]	6
5	USSM350-8I	9.41 [239]	8
6	USSM350-8	9.41 [239]	8



MARKING

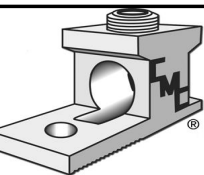
CMC/ESP
 USM 350-6
 350KCMIL-12
 AL-CU

					TO ORDER CMC PRODUCTS CALL 1-513-860-4455	DRAWN BY: TS 02/08/19	NAME OF PART: UNIVERSAL STUD CONNECTOR	CAT. NO.: SEE TABLE
					FOR PRODUCT INFO: http://www.cmclugs.com	CHECKED BY:	DWG NO: C58700506-S (CHARTED)	A
A	NEW DRAWING CREATED		02/08/19	TS		DRAWING NOT TO SCALE		SHEET NO: 1 OF 1
REV.	DESCRIPTION	ECN	DATE	INIT.				

THIS INFORMATION IS PROPRIETARY TO CONNECTOR MFG. CO. AND IS NOT TO BE DISCLOSED OUTSIDE OF CONNECTOR MFG. CO. WITHOUT A CONFIDENTIALITY AGREEMENT



CONNECTOR MANUFACTURING CO.



HAMILTON, OHIO