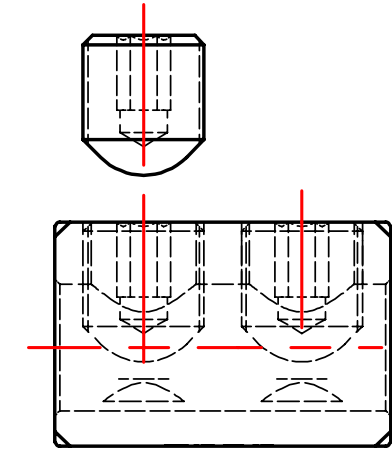
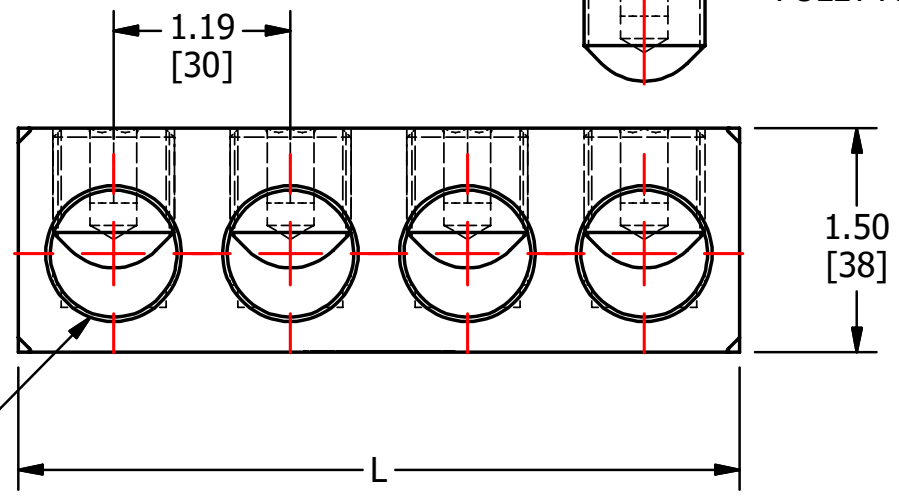
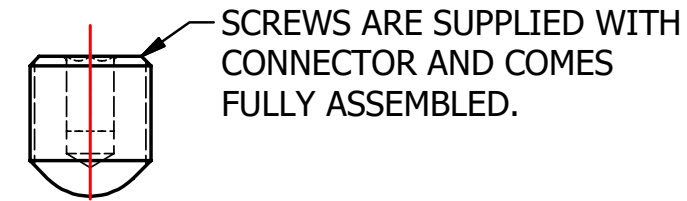
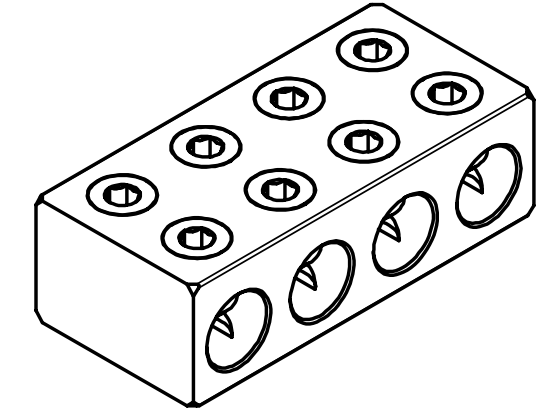
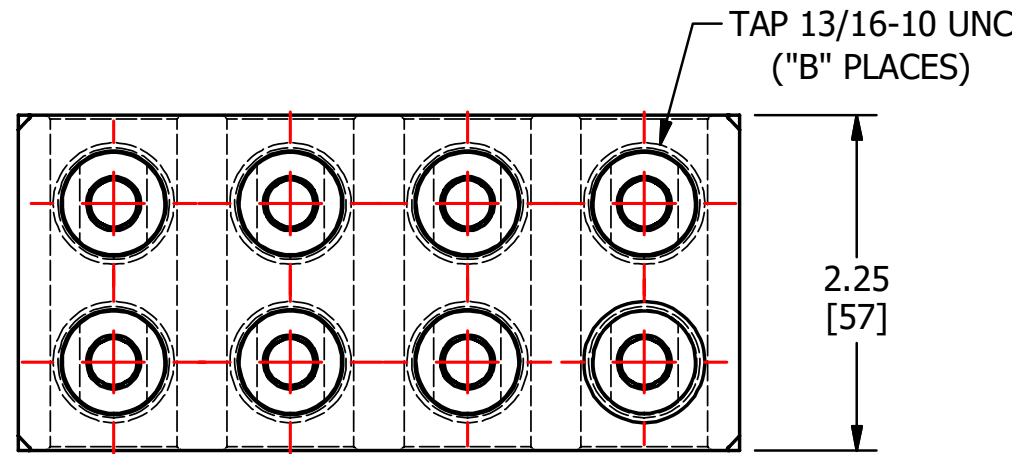
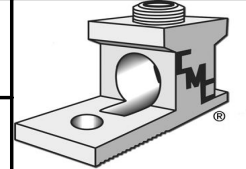


S.NO	CATALOG NUMBER	L	B
1	ND500-4	4.84 [7.22]	4
2	ND500-4I	4.84 [7.22]	4
3	ND500-6	7.22 [183]	6
4	ND500-6I	7.22 [183]	6
5	ND500-8	9.59 [244]	8
6	ND500-8I	9.59 [244]	8



CMC/ESP  
ND 500-4  
500 KCMIL-10  
AL-CU

					TO ORDER CMC PRODUCTS CALL 1-513-860-4455	DRAWN BY: TS 03/08/19	NAME OF PART: NEUTRAL BAR ASSEMBLY	CAT. NO.: SEE TABLE
					FOR PRODUCT INFO: <a href="http://www.cmclugs.com">http://www.cmclugs.com</a>	CHECKED BY:	DWG NO: C58700543-S (CHARTED)	A
<b>A</b>	NEW DRAWING CREATED		02/12/19	TS		DRAWING NOT TO SCALE		SHEET NO: 1 OF 1
REV.	DESCRIPTION	ECN	DATE	INIT.				



THIS INFORMATION IS PROPRIETARY TO CONNECTOR MFG. CO. AND IS NOT TO BE DISCLOSED OUTSIDE OF CONNECTOR MFG. CO. WITHOUT A CONFIDENTIALITY AGREEMENT

