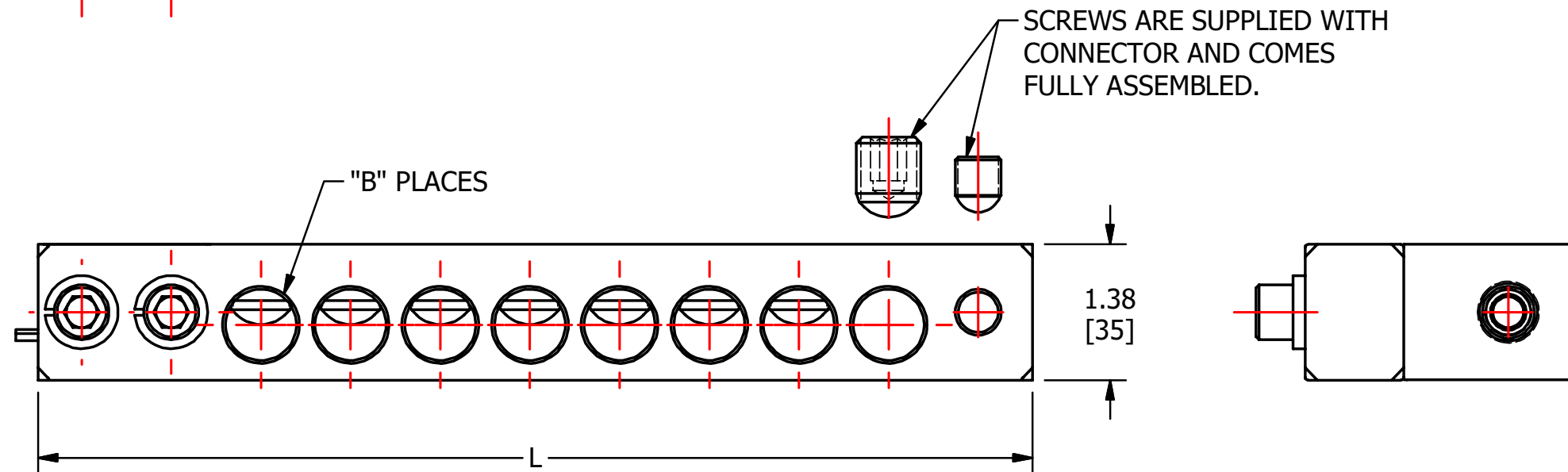
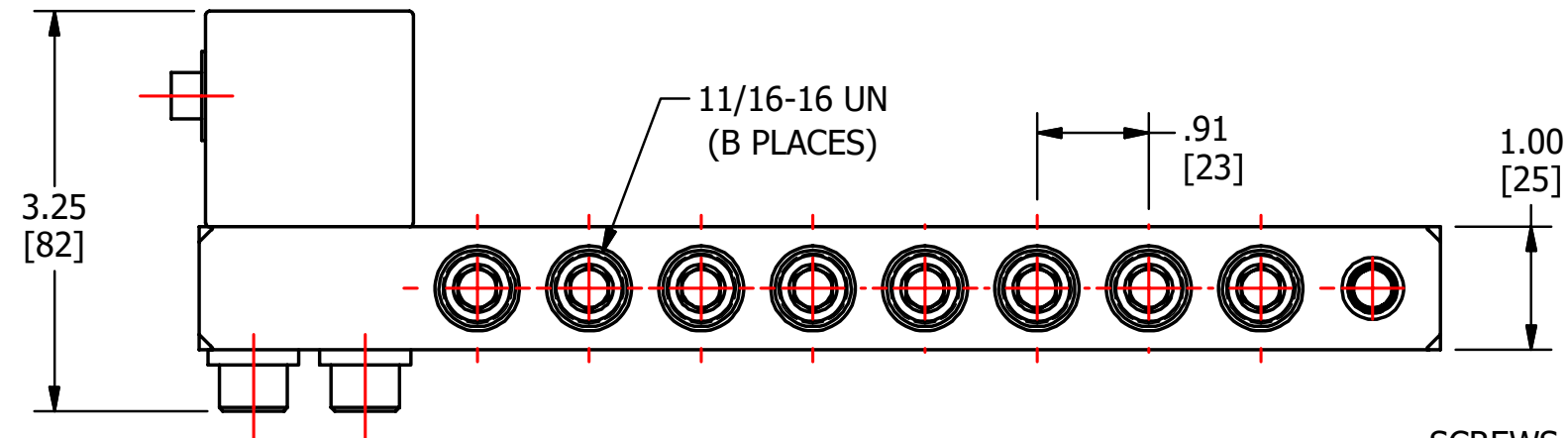
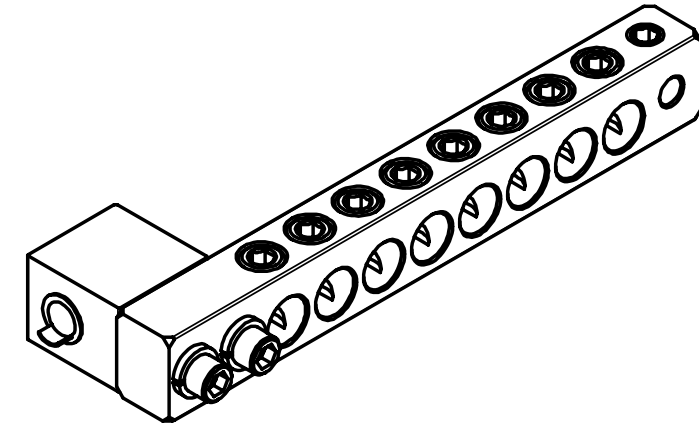


S.NO	CATALOG NUMBER	L	B
1	NSA350-6SL	8.27 [210]	6
2	NSA350-6SLI	8.27 [210]	6
3	NSA350-8SL	10.09 [256]	8
4	NSA350-8SLI	10.09 [256]	8

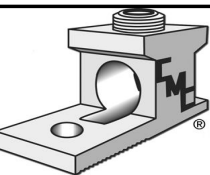


					TO ORDER CMC PRODUCTS CALL 1-513-860-4455	DRAWN BY: TS 12/12/18	NAME OF PART: PAD MOUNT CONNECTOR ASSEMBLY	CAT. NO.: SEE TABLE
					FOR PRODUCT INFO: http://www.cmclugs.com	CHECKED BY:	DWG NO: C58700562-S (CHARTED)	A
A	NEW DRAWING CREATED		12/12/18	TS		DRAWING NOT TO SCALE		SHEET NO: 1 OF 1
REV.	DESCRIPTION	ECN	DATE	INIT.				

THIS INFORMATION IS PROPRIETARY TO CONNECTOR MFG. CO. AND IS NOT TO BE DISCLOSED OUTSIDE OF CONNECTOR MFG. CO. WITHOUT A CONFIDENTIALITY AGREEMENT



CONNECTOR MANUFACTURING CO.



HAMILTON, OHIO