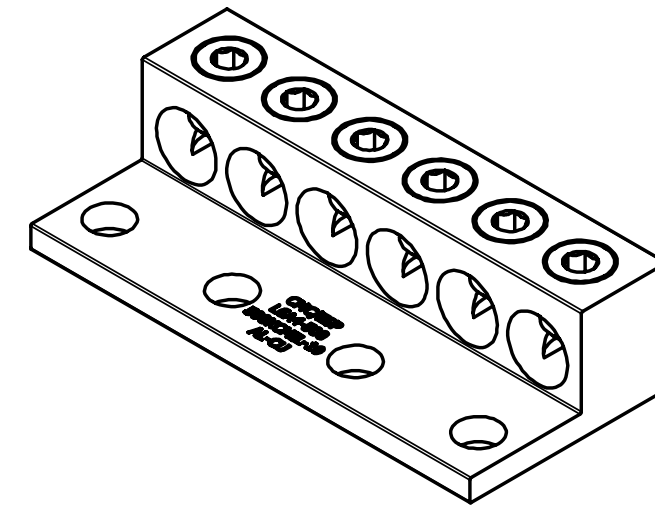
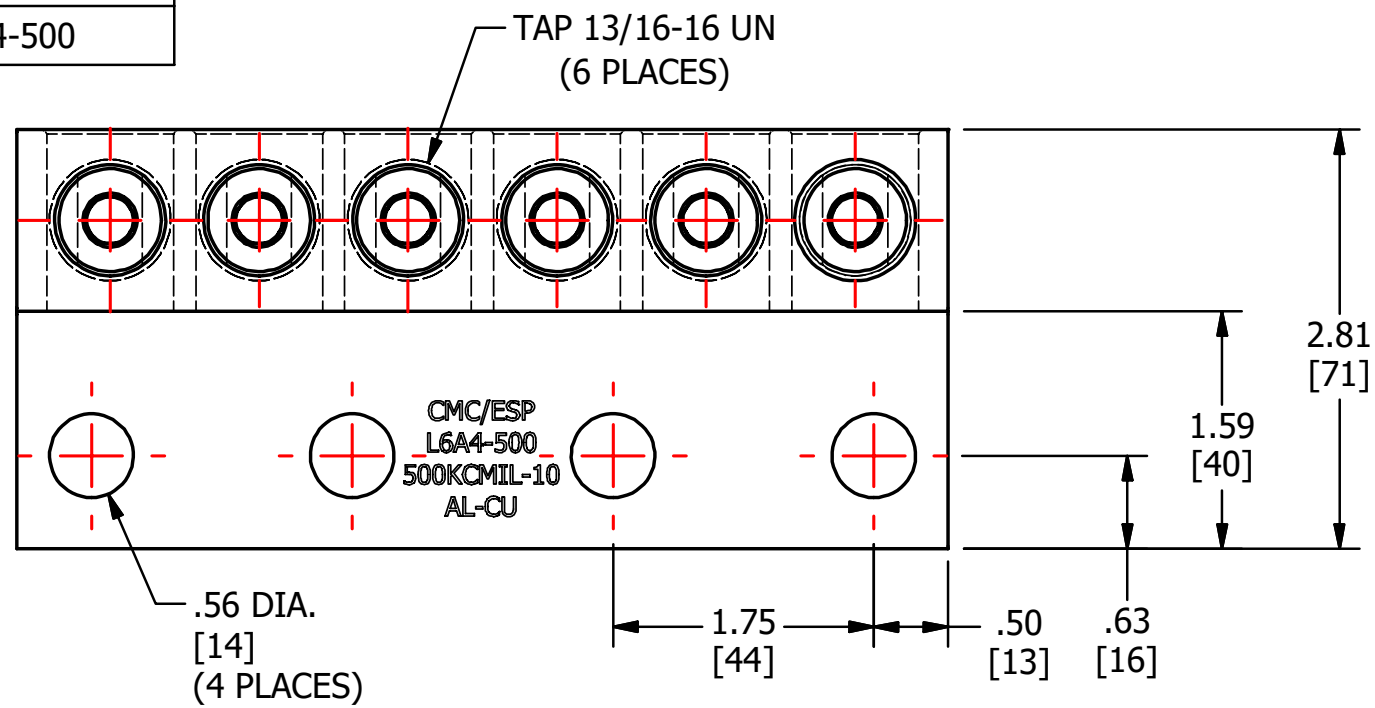
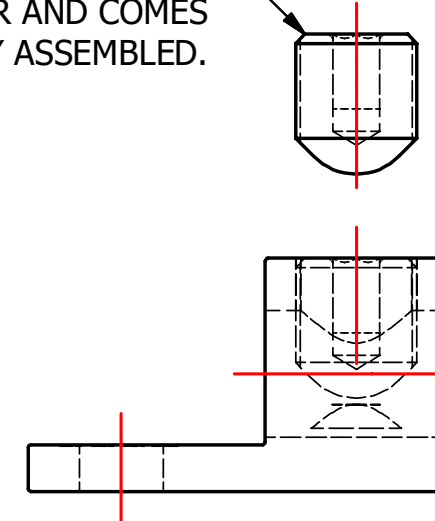
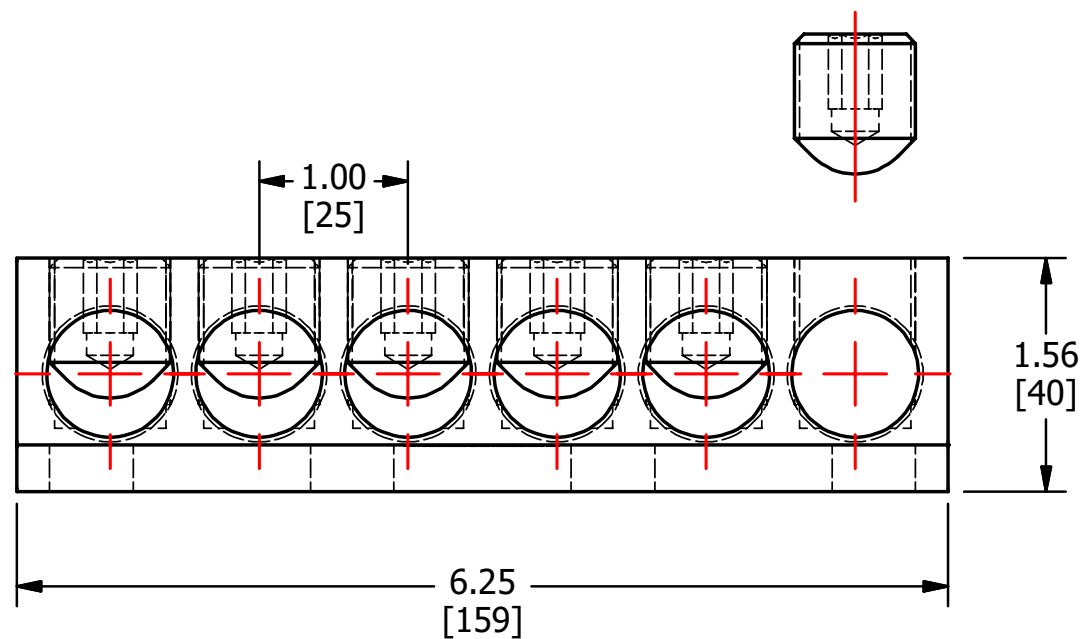


S.NO	CATALOG NUMBER
1	L6A4-500I
2	L6A4-500



SCREWS ARE SUPPLIED WITH CONNECTOR AND COMES FULLY ASSEMBLED.

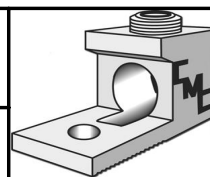


					TO ORDER CMC PRODUCTS CALL 1-513-860-4455	DRAWN BY: TS 01/29/19	NAME OF PART: TRANSFORMER CONNECTOR	CAT. NO.: SEE TABLE
					FOR PRODUCT INFO: http://www.cmclugs.com	CHECKED BY:	DWG NO: C58700567-S	A
A	NEW DRAWING CREATED		01/29/19	TS		DRAWING NOT TO SCALE		SHEET NO: 1 OF 1
REV.	DESCRIPTION	ECN	DATE	INIT.				

THIS INFORMATION IS PROPRIETARY TO CONNECTOR MFG. CO. AND IS NOT TO BE DISCLOSED OUTSIDE OF CONNECTOR MFG. CO. WITHOUT A CONFIDENTIALITY AGREEMENT



CONNECTOR MANUFACTURING CO.



HAMILTON, OHIO