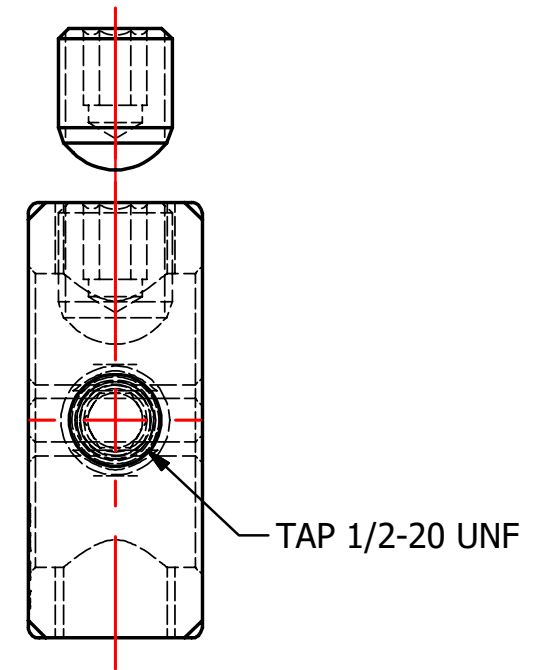
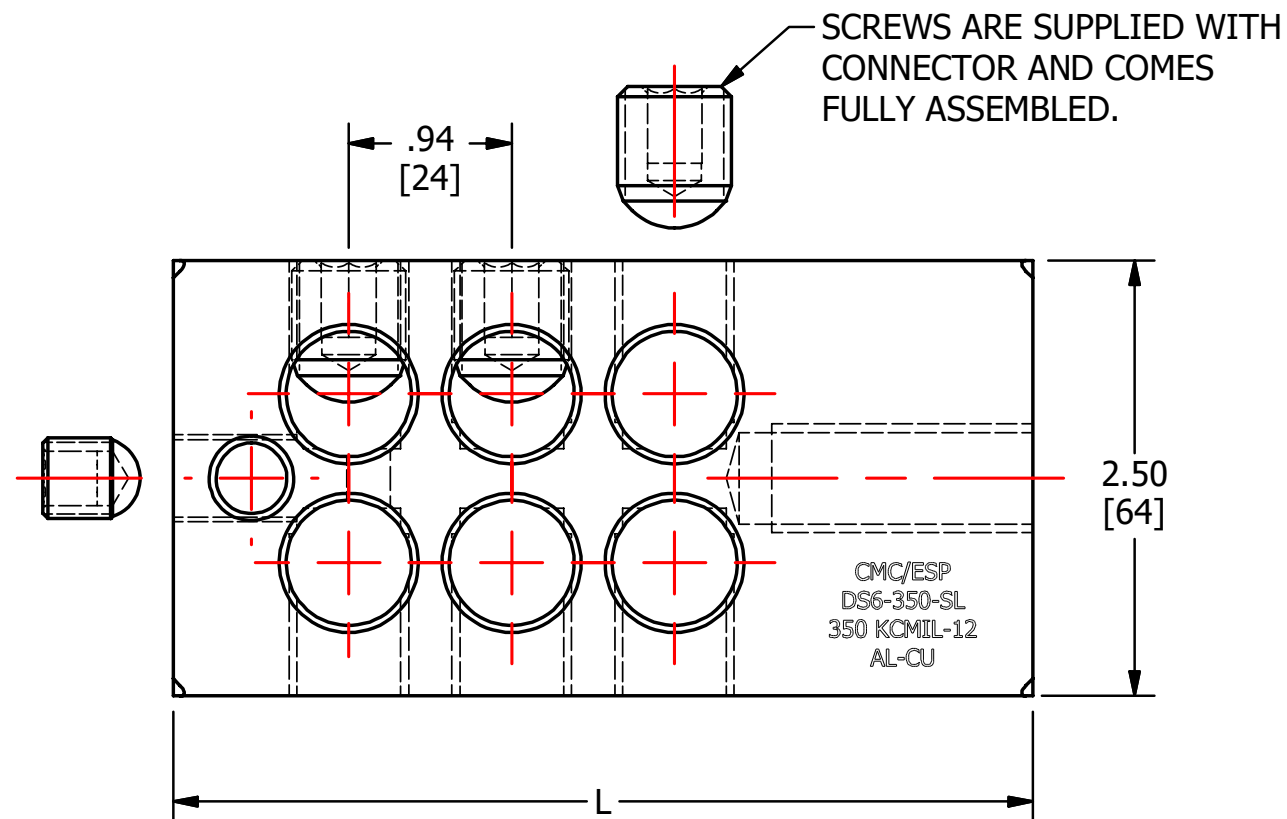
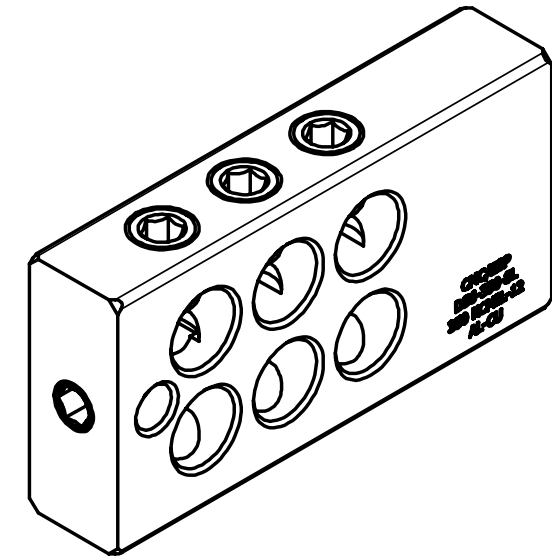
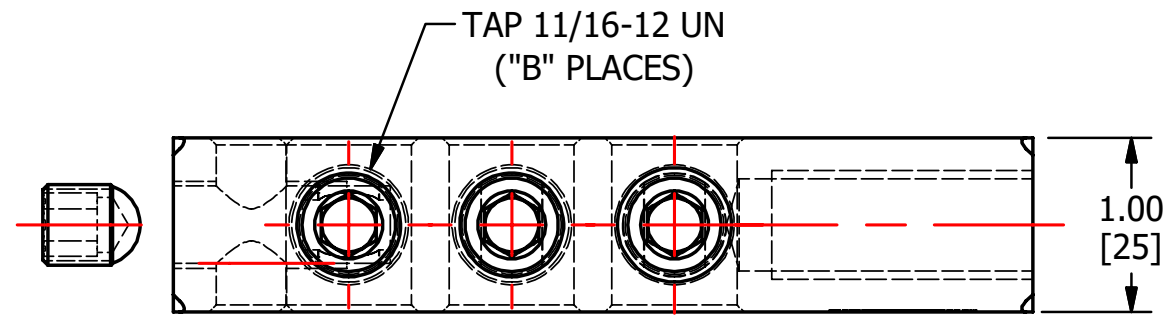


| S.NO | CATALOG NUMBER | L | B |
|------|----------------|---------------|---|
| 1 | DS6-350SL | 4.94 [126] | 6 |
| 2 | DS6-350SLI | 4.94 [126] | 6 |
| 3 | DS8-350SL | 5.88 [149] | 8 |

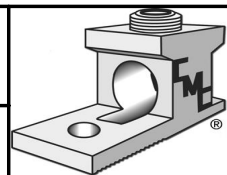


| | | | | | | | | |
|------|---------------------|-----|----------|-------|--|--------------------------|---------------------------------------|------------------------|
| | | | | | TO ORDER CMC PRODUCTS CALL 1-513-860-4455 | DRAWN BY: TS 02/14/19 | NAME OF PART: STUD MOUNT CONNECTOR | CAT. NO.: SEE TABLE |
| | | | | | FOR PRODUCT INFO: http://www.cmclugs.com | CHECKED BY: | DWG NO: C58700579-S (CHARTED) | A |
| A | NEW DRAWING CREATED | | 02/12/19 | TS | | DRAWING NOT TO SCALE | | SHEET NO: 1 OF 1 |
| REV. | DESCRIPTION | ECN | DATE | INIT. | | | | |

THIS INFORMATION IS PROPRIETARY TO CONNECTOR MFG. CO. AND IS NOT TO BE DISCLOSED OUTSIDE OF CONNECTOR MFG. CO. WITHOUT A CONFIDENTIALITY AGREEMENT



CONNECTOR MANUFACTURING CO.



HAMILTON, OHIO