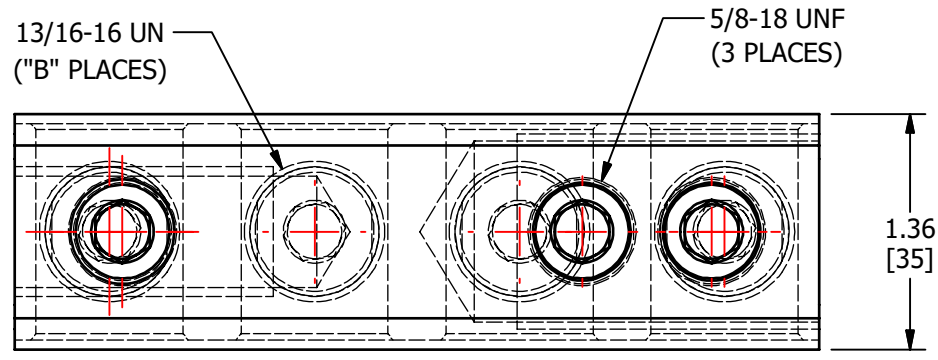
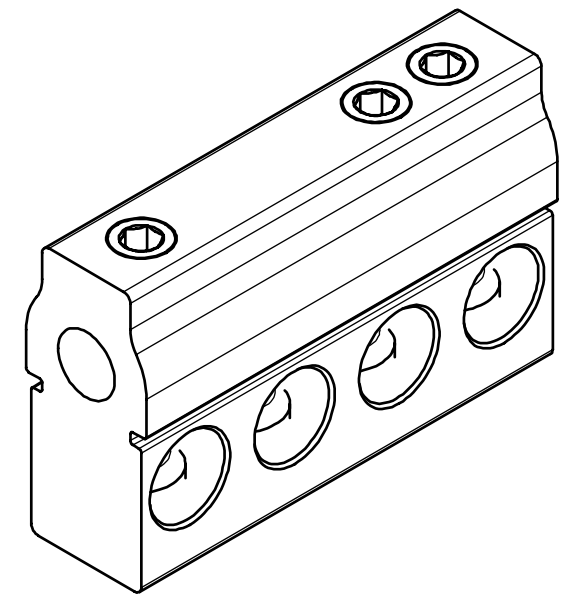


S.NO	CATALOG NUMBER	L	B
1	RLUSS500-4I	4.66 [118]	4
2	RLUSS500-6I	7.04 [179]	6
3	RLUSS500-6	7.04 [179]	6
4	RLUSS500-8I	9.41 [239]	8
5	RLUSS500-8	9.41 [239]	8

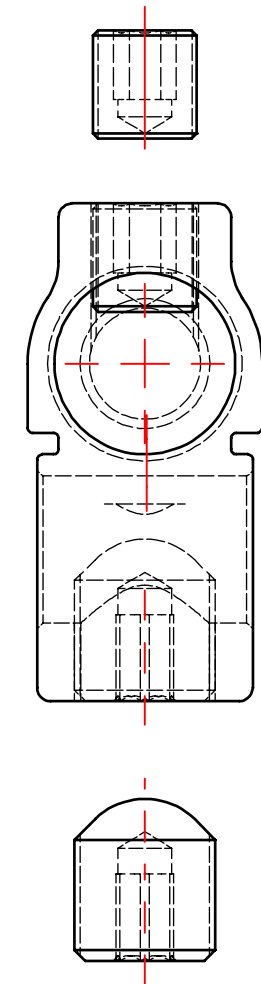
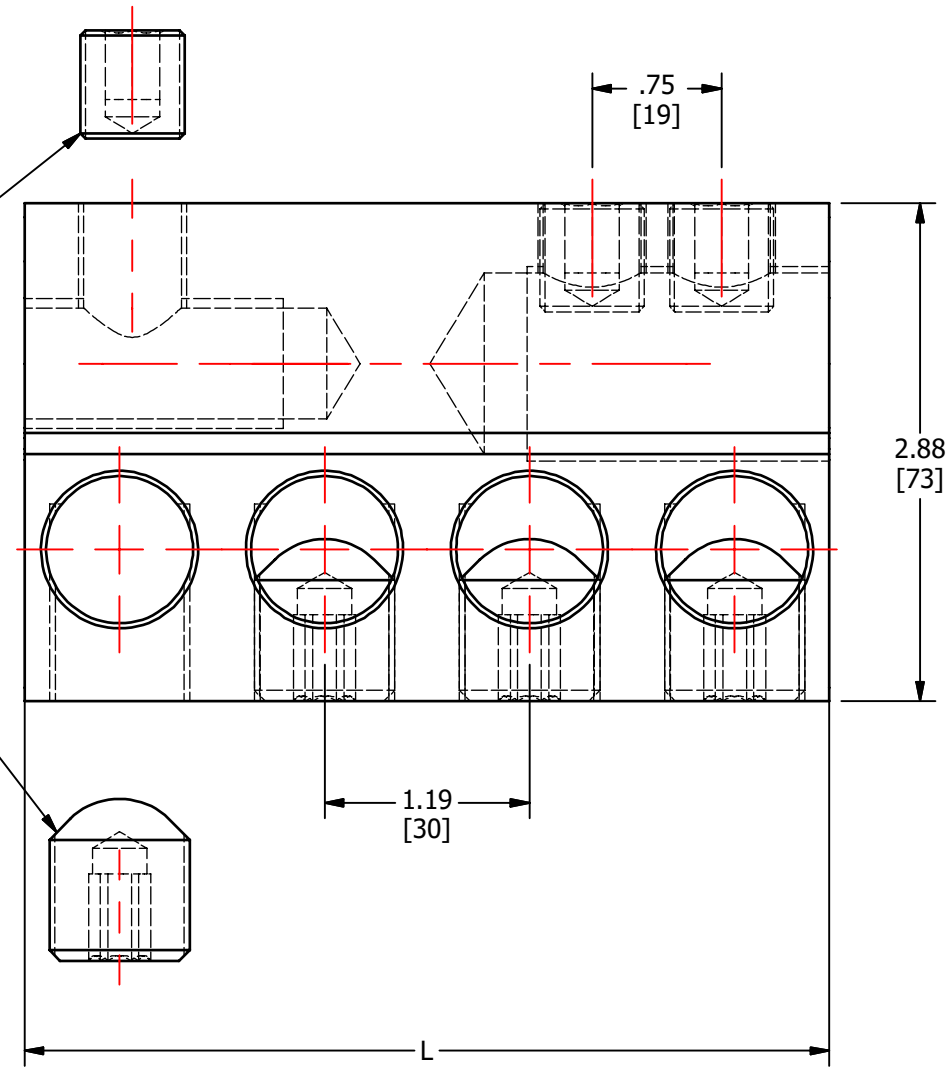


MARKING

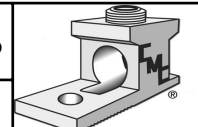
CMC/ESP
 USSM 500-4
 500KCMIL-10
 AL-CU



SCREWS ARE SUPPLIED WITH
 CONNECTOR AND COMES
 FULLY ASSEMBLED.



REV.	DESCRIPTION	ECN	DATE	INIT.
A	NEW DRAWING CREATED		12/24/18	TS

TO ORDER CMC PRODUCTS CALL 1-513-860-4455 FOR PRODUCT INFO: http://www.cmclugs.com	DRAWN BY: TS 12/24/18	NAME OF PART: UNIVERSAL STUD CONNECTOR	CAT. NO.: SEE TABLE
	CHECKED BY:	DWG NO: C58700587I-S (CHARTED)	B 
DRAWING NOT TO SCALE		SHEET NO: 1 OF 1	

THIS INFORMATION IS PROPRIETARY TO CONNECTOR MFG. CO. AND IS NOT TO BE DISCLOSED OUTSIDE OF CONNECTOR MFG. CO. WITHOUT A CONFIDENTIALITY AGREEMENT



CONNECTOR MANUFACTURING CO.

HAMILTON, OHIO