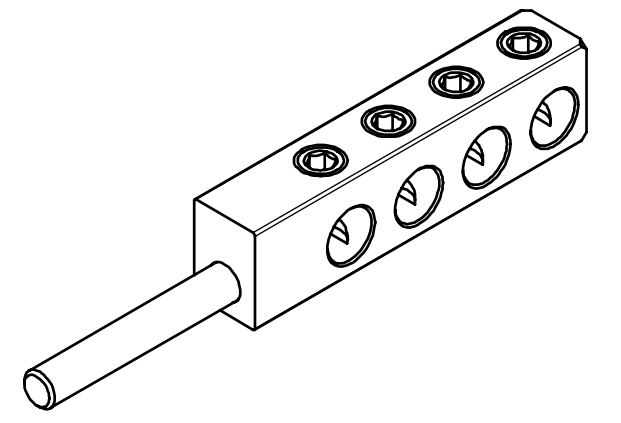
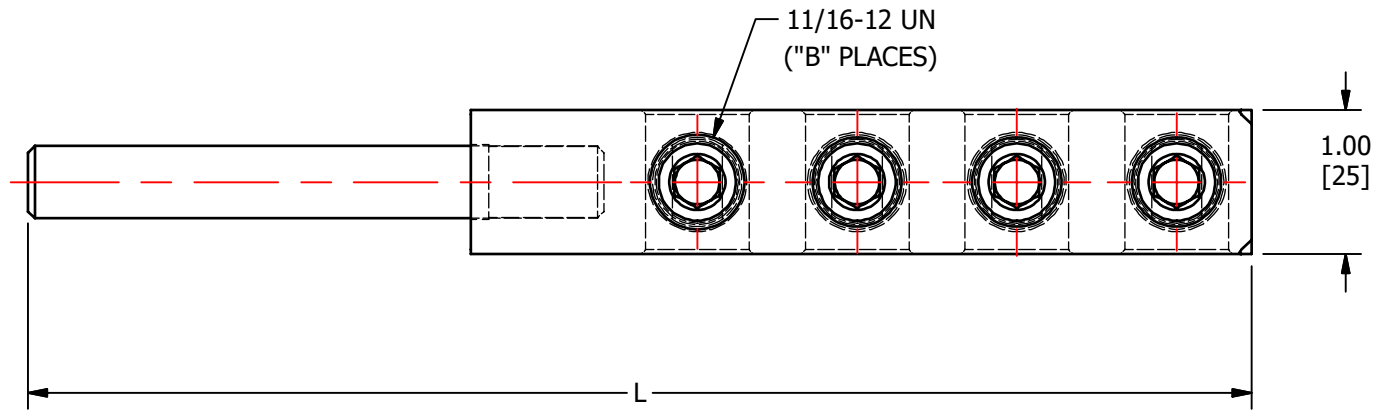
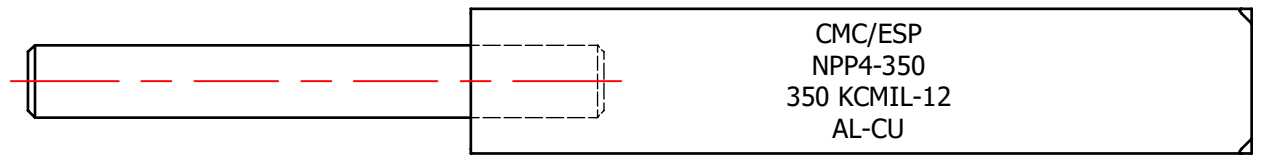
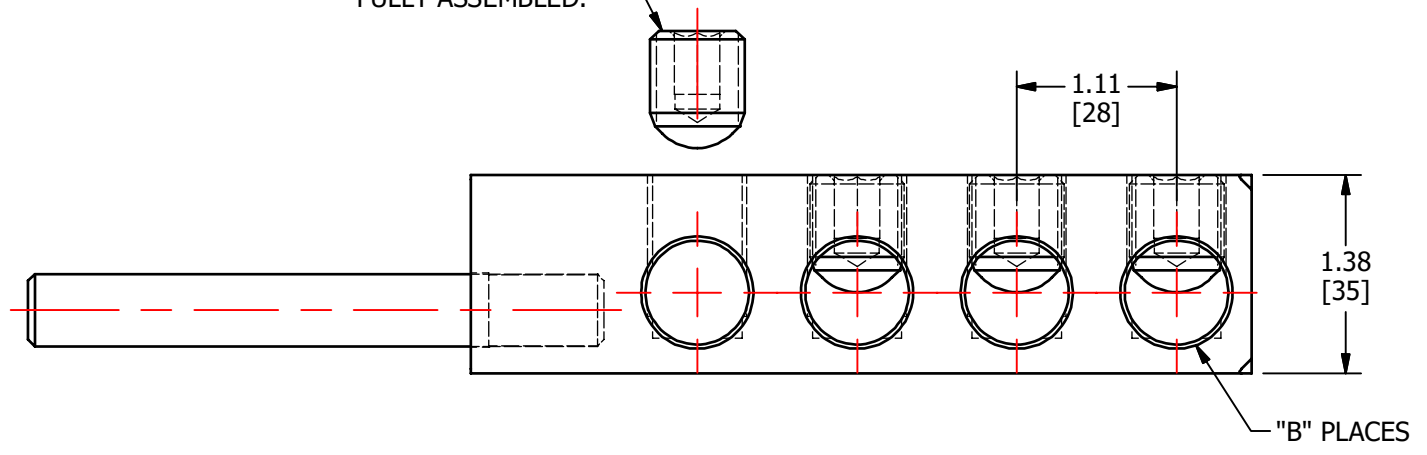


S.NO	CATALOG NUMBER	L	B
1	NPP4-350I	5.43 [138]	4
2	NPP6-350I	7.65 [194]	6
3	NPP8-350I	9.87 [251]	8



SCREWS ARE SUPPLIED WITH CONNECTOR AND COMES FULLY ASSEMBLED.

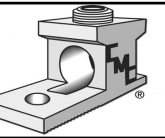


						DRAWN BY: TS 03/18/19 CHECKED BY:	NAME OF PART: PIN CONNECTOR ASSEMBLY DWG NO: C58700588I-S (CHARTED)	CAT. NO.: SEE TABLE
A	NEW DRAWING CREATED		03/18/19	TS	TO ORDER CMC PRODUCTS CALL 1-513-860-4455 FOR PRODUCT INFO: <a href="http://www.cmclugs.com">http://www.cmclugs.com</a>	DRAWING NOT TO SCALE		SHEET NO: 1 OF 1
REV.	DESCRIPTION	ECN	DATE	INIT.				

THIS INFORMATION IS PROPRIETARY TO CONNECTOR MFG. CO. AND IS NOT TO BE DISCLOSED OUTSIDE OF CONNECTOR MFG. CO. WITHOUT A CONFIDENTIALITY AGREEMENT



**CONNECTOR MANUFACTURING CO.**



HAMILTON, OHIO