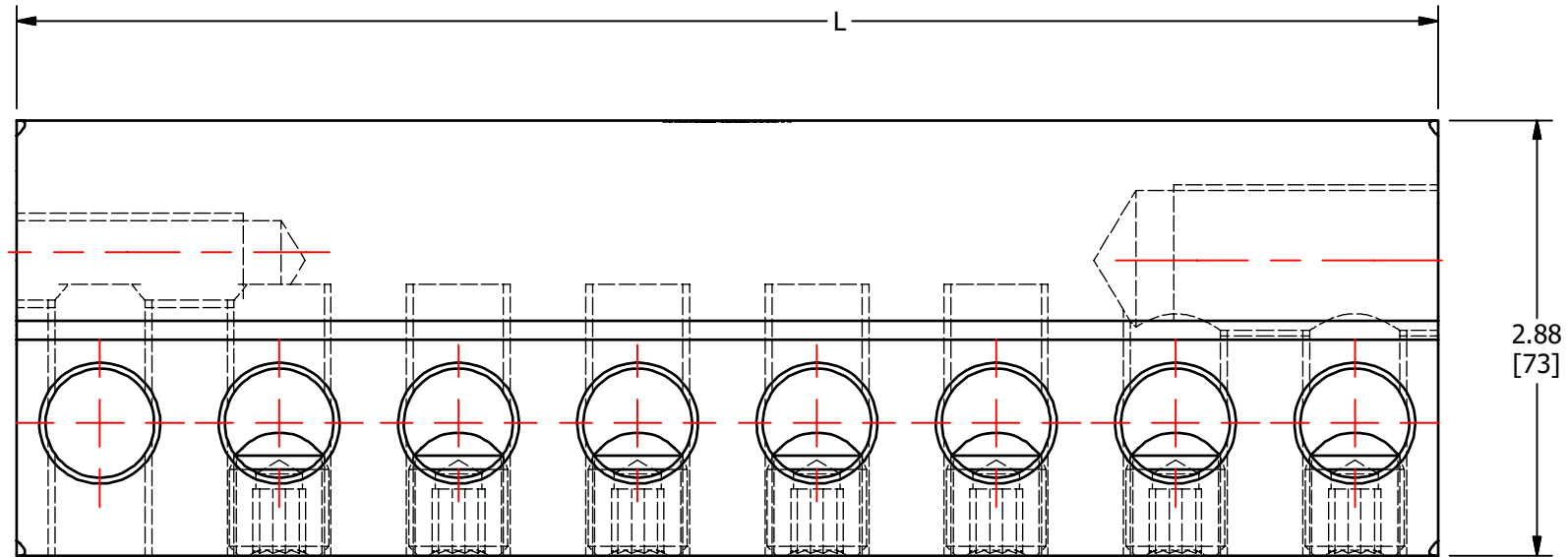
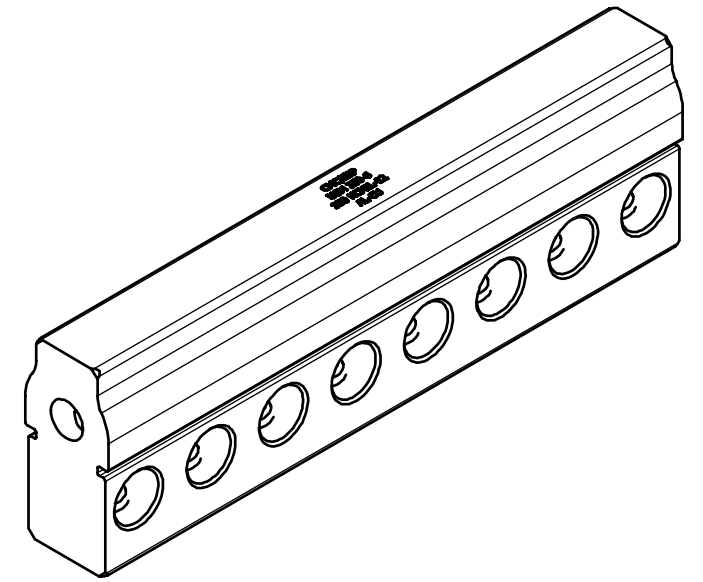
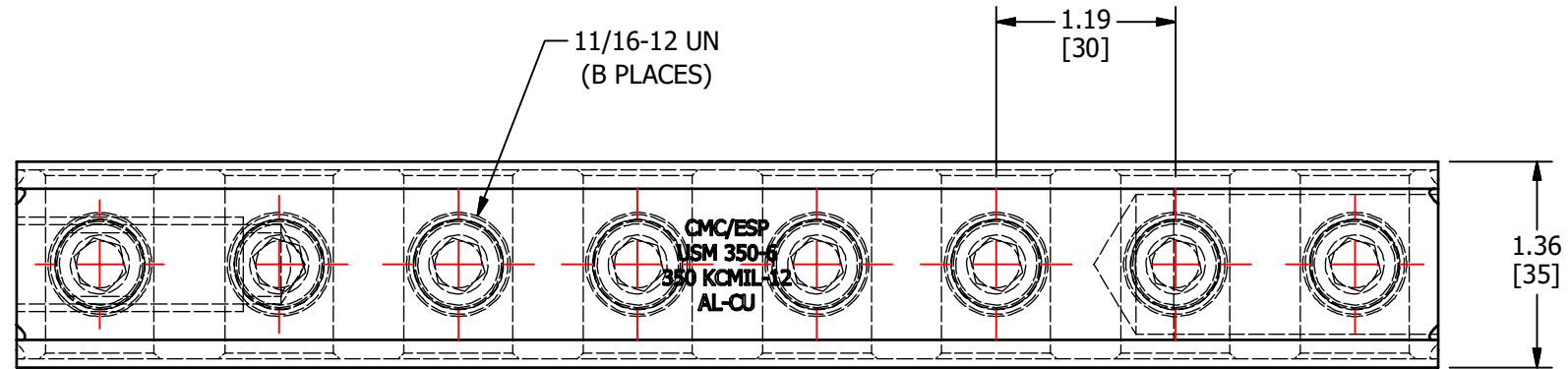
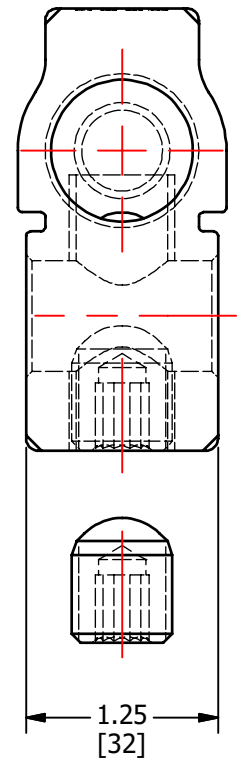


S.NO	CATALOG NUMBER	L	B
1	RLUS350-4I	4.66 [118]	4
2	RLUS350-6I	7.04 [179]	6
3	RLUS350-6	7.04 [179]	6
4	RLUS350-8I	9.41 [239]	8
5	RLUS350-8	9.41 [239]	8



**MARKING**

CMC/ESP  
USM 350-6  
350 KCMIL-12  
AL-CU



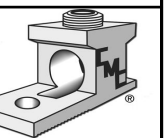
SCREWS ARE SUPPLIED WITH CONNECTOR AND COMES FULLY ASSEMBLED.

						TO ORDER CMC PRODUCTS CALL 1-513-860-4455	DRAWN BY: TS 02/13/19	NAME OF PART: UNIVERSAL STUD CONNECTOR	CAT. NO.: SEE TABLE
						FOR PRODUCT INFO: <a href="http://www.cmclugs.com">http://www.cmclugs.com</a>	CHECKED BY:	DWG NO: C58700592-S (CHARTED)	<b>B</b>
<b>A</b>	NEW DRAWING CREATED		02/12/19	TS			DRAWING NOT TO SCALE		SHEET NO: 1 OF 1
REV.	DESCRIPTION	ECN	DATE	INIT.					

THIS INFORMATION IS PROPRIETARY TO CONNECTOR MFG. CO. AND IS NOT TO BE DISCLOSED OUTSIDE OF CONNECTOR MFG. CO. WITHOUT A CONFIDENTIALITY AGREEMENT



**CONNECTOR MANUFACTURING CO.**



HAMILTON, OHIO