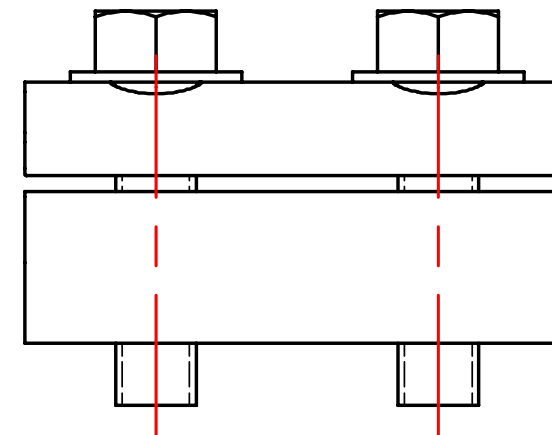
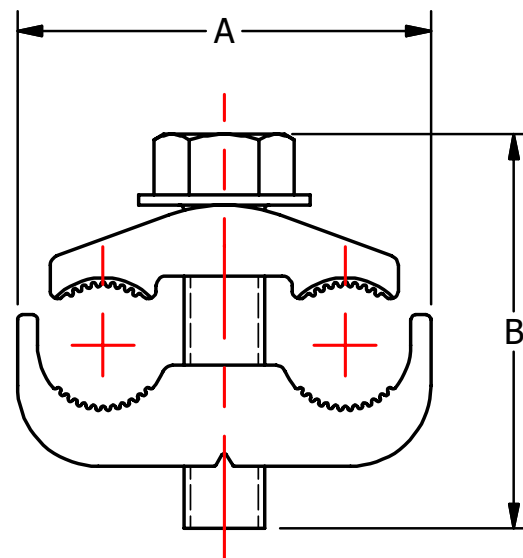
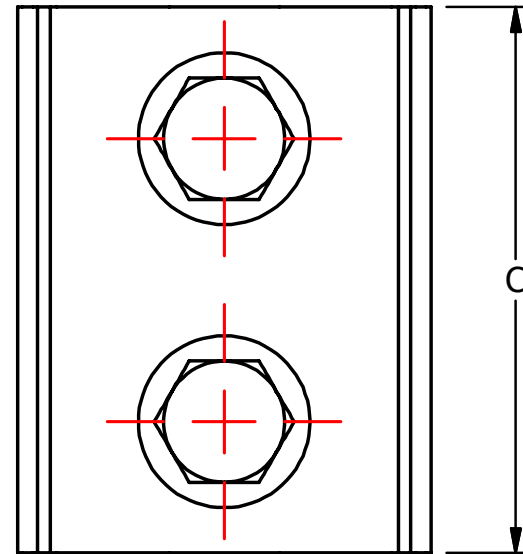
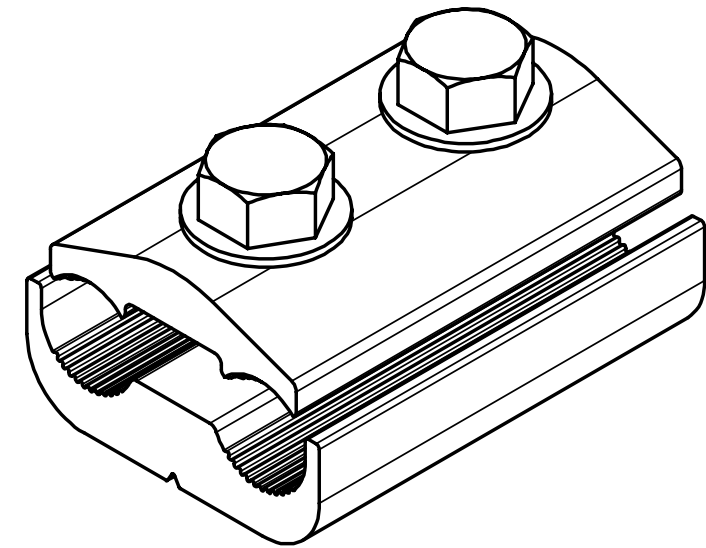


S.NO	CATALOG NUMBER	A	B	C	CONDUCTOR RANGE
1	APC-4/0-2I	1.97 [50]	1.83 [46]	3.00 [76]	4/0 ACSR - 2SOL
2	APC-397-2I	2.56 [65]	2.44 [62]	3.38 [86]	3/0 STR - 397 ACSR

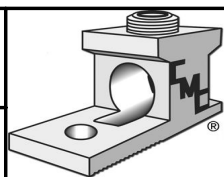


					TO ORDER CMC PRODUCTS CALL 1-513-860-4455	DRAWN BY: TS 11/08/18	NAME OF PART: PARALLEL CLAMP ASSEMBLY	CAT. NO.: SEE TABLE
					FOR PRODUCT INFO: http://www.cmclugs.com	CHECKED BY:	DWG NO: C58700602I-S (CHARTED)	A
A	NEW DRAWING CREATED		11/08/18	TS		DRAWING NOT TO SCALE		SHEET NO: 1 OF 1
REV.	DESCRIPTION	ECN	DATE	INIT.				

THIS INFORMATION IS PROPRIETARY TO CONNECTOR MFG. CO. AND IS NOT TO BE DISCLOSED OUTSIDE OF CONNECTOR MFG. CO. WITHOUT A CONFIDENTIALITY AGREEMENT



CONNECTOR MANUFACTURING CO.



HAMILTON, OHIO