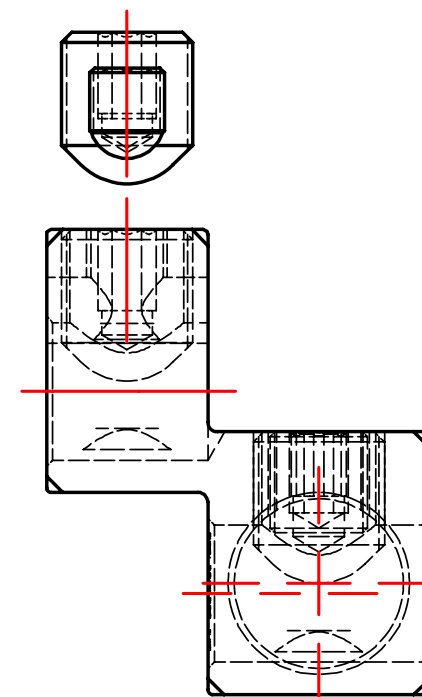
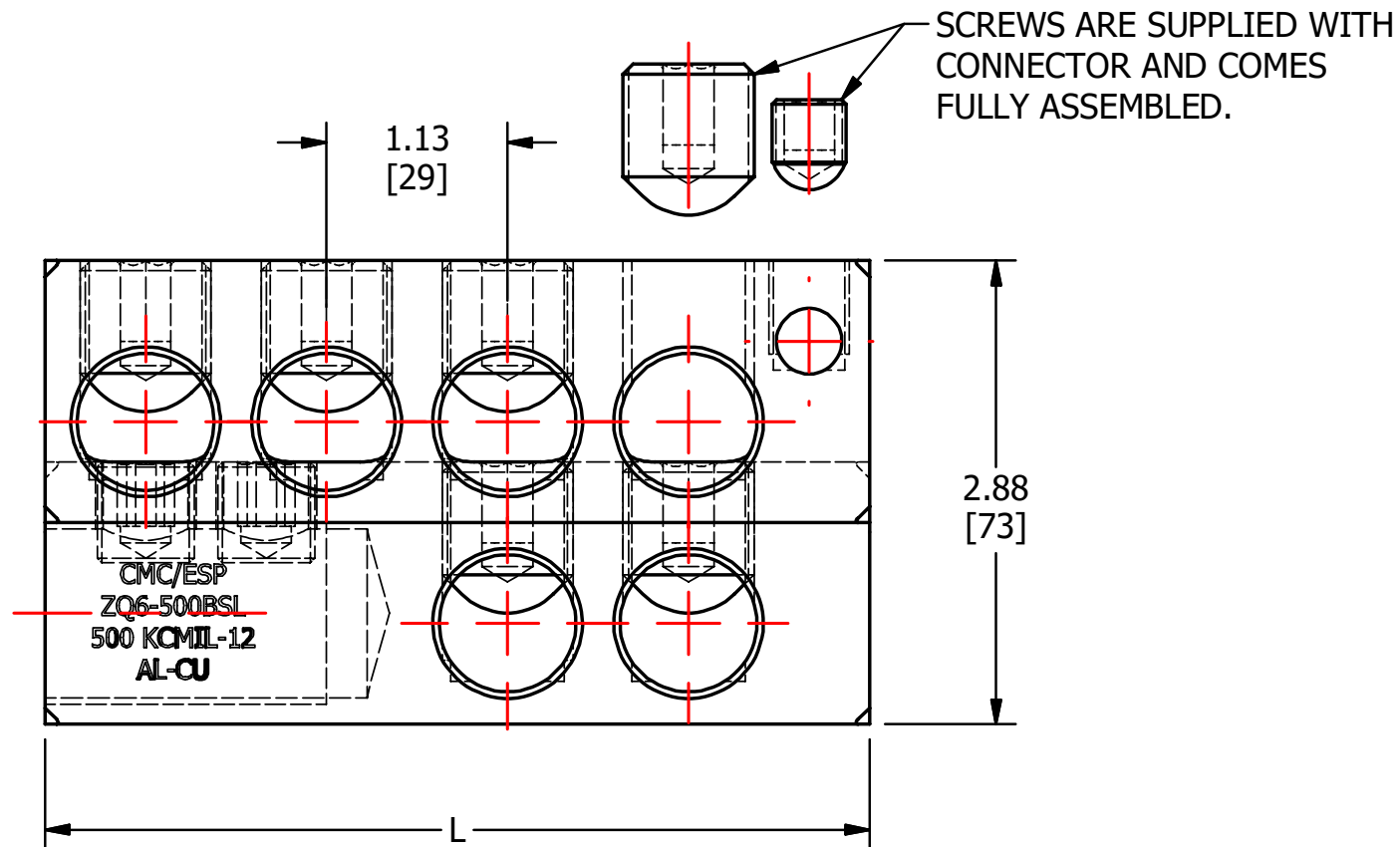
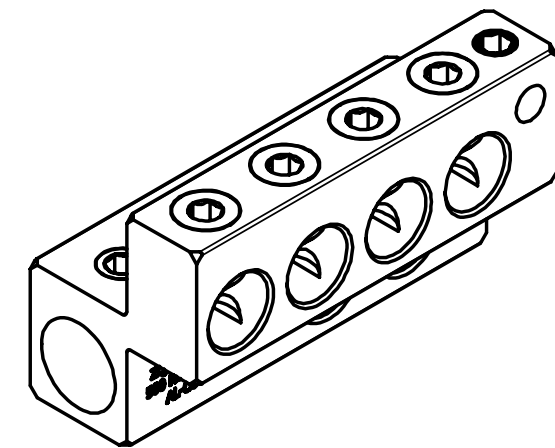
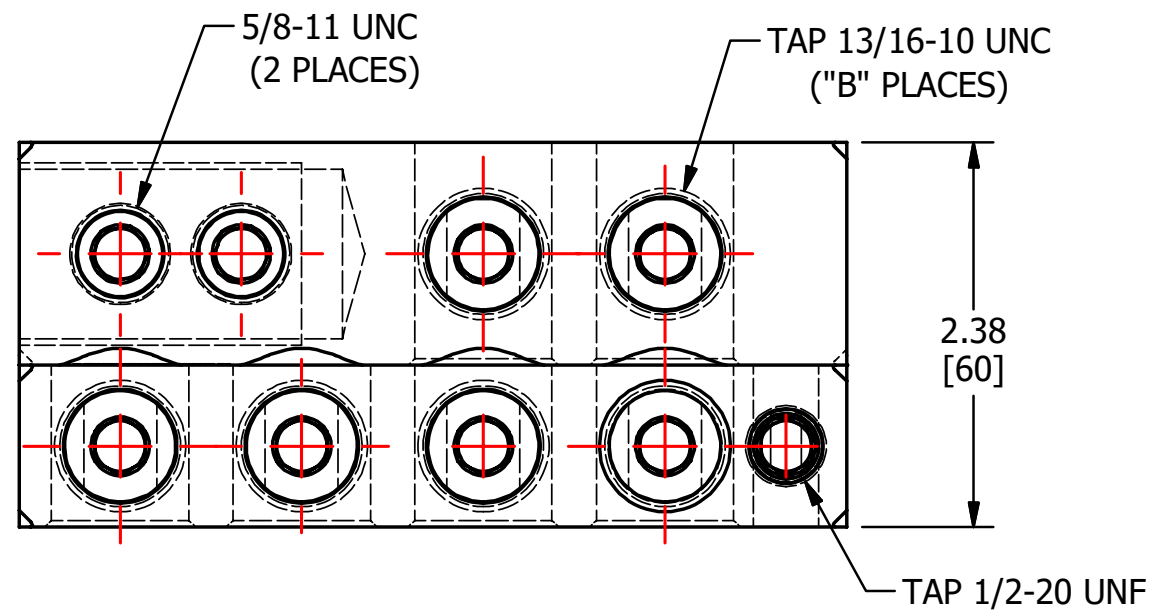


S.NO	CATALOG NUMBER	L	B
1	ZQ6-500SLI	5.13 [130]	6
2	ZQ6-500SL	5.13 [130]	6
3	ZQ8-500SLI	6.25 [159]	8
4	ZQ8-500SL	6.25 [159]	8

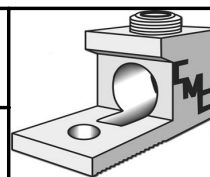


					TO ORDER CMC PRODUCTS CALL 1-513-860-4455	DRAWN BY: TS 02/07/19	NAME OF PART: STUD MOUNT CONNECTOR	CAT. NO.: SEE TABLE
					FOR PRODUCT INFO: http://www.cmclugs.com	CHECKED BY:	DWG NO: C58700639-S (CHARTED)	A
A	NEW DRAWING CREATED		02/07/19	TS		DRAWING NOT TO SCALE		SHEET NO: 1 OF 1
REV.	DESCRIPTION	ECN	DATE	INIT.				

THIS INFORMATION IS PROPRIETARY TO CONNECTOR MFG. CO. AND IS NOT TO BE DISCLOSED OUTSIDE OF CONNECTOR MFG. CO. WITHOUT A CONFIDENTIALITY AGREEMENT



CONNECTOR MANUFACTURING CO.



HAMILTON, OHIO