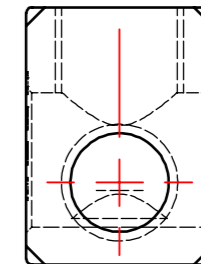
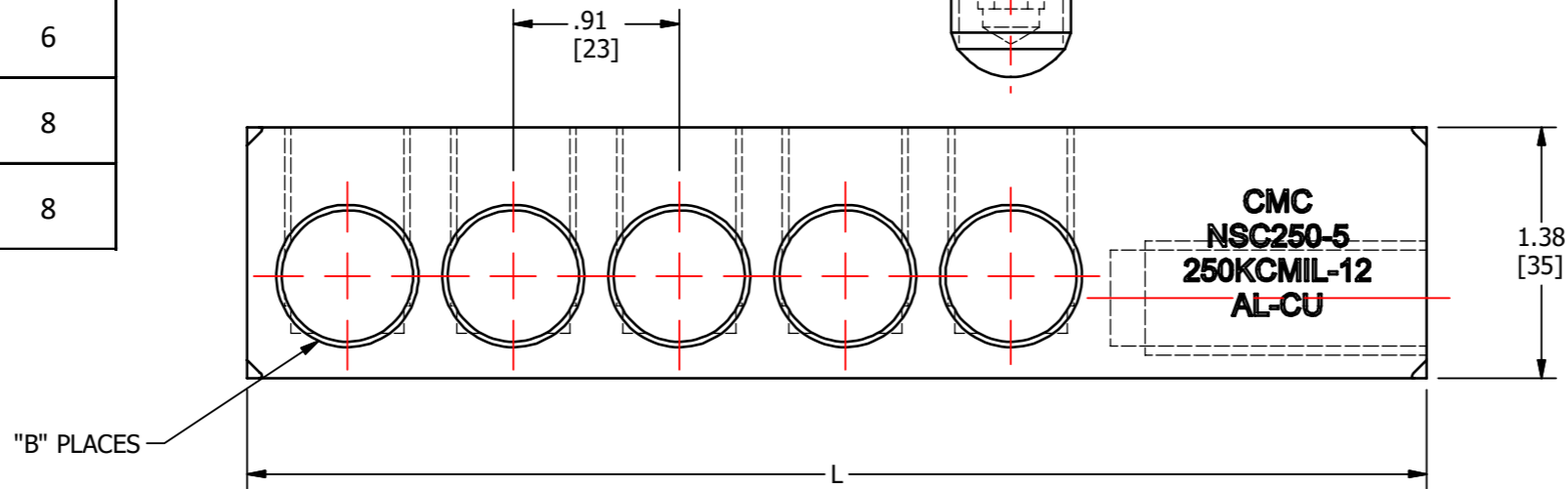
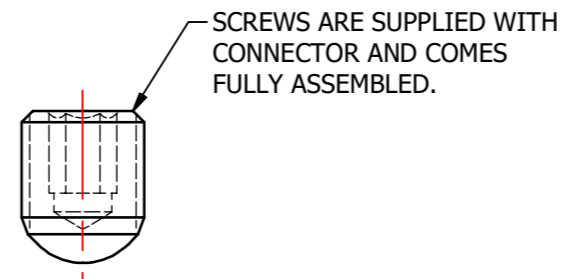
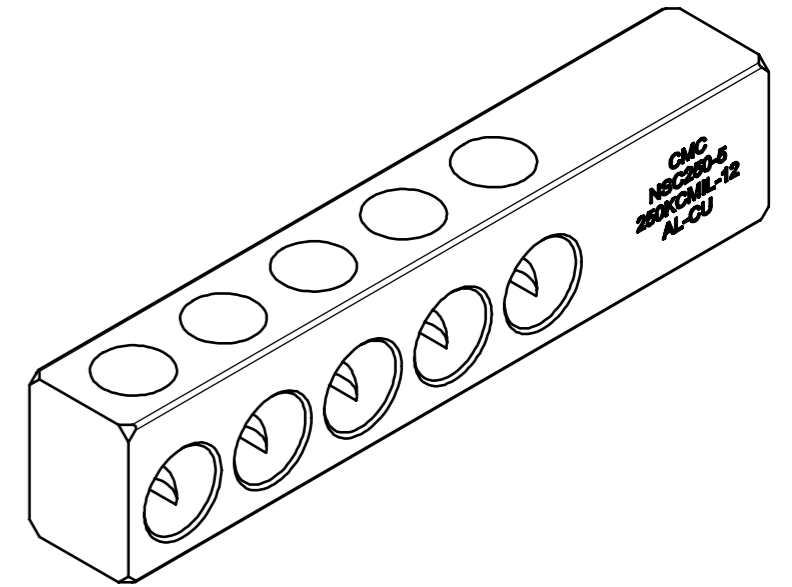
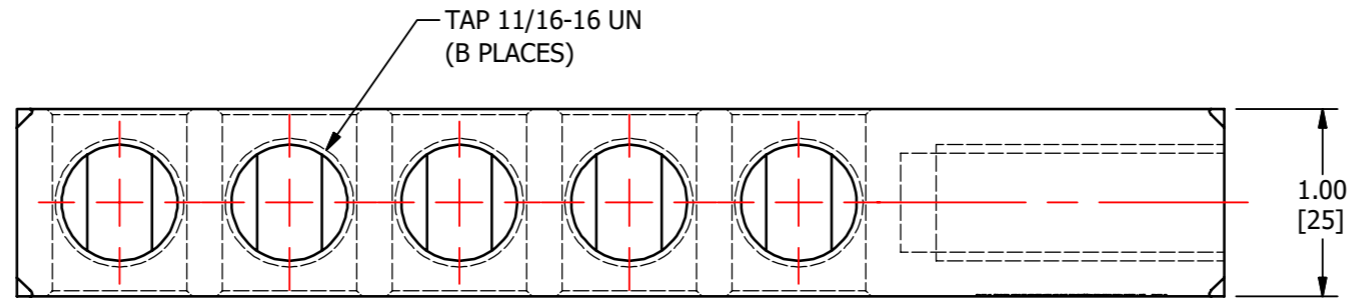


S.NO	CATALOG NUMBER	L	B
1	NSC250-2I	3.74 [95]	2
2	NSC250-2	3.74 [95]	2
3	NSC250-3I	4.65 [118]	3
4	NSC250-3	4.65 [118]	3
5	NSC250-4I	5.56 [141]	4
6	NSC250-4	5.56 [141]	4
7	NSC250-5I	6.47 [164]	5
8	NSC250-5	6.47 [164]	5
9	NSC250-6I	7.38 [187]	6
10	NSC250-6	7.38 [187]	6
11	NSC250-8I	9.20 [234]	8
12	NSC250-8	9.20 [234]	8



					TO ORDER CMC PRODUCTS CALL 1-513-860-4455	DRAWN BY: TS 12/04/18	NAME OF PART: STUD MOUNT CONNECTOR	CAT. NO.: SEE TABLE
					FOR PRODUCT INFO: http://www.cmcugs.com	CHECKED BY:	DWG NO: C58700739C-S (CHARTED)	B
A	NEW DRAWING CREATED		12/04/18	TS		DRAWING NOT TO SCALE		SHEET NO: 1 OF 1
REV.	DESCRIPTION	ECN	DATE	INIT.				

THIS INFORMATION IS PROPRIETARY TO CONNECTOR MFG. CO. AND IS NOT TO BE DISCLOSED OUTSIDE OF CONNECTOR MFG. CO. WITHOUT A CONFIDENTIALITY AGREEMENT



CONNECTOR MANUFACTURING CO.

HAMILTON, OHIO

