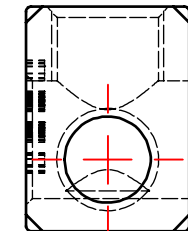
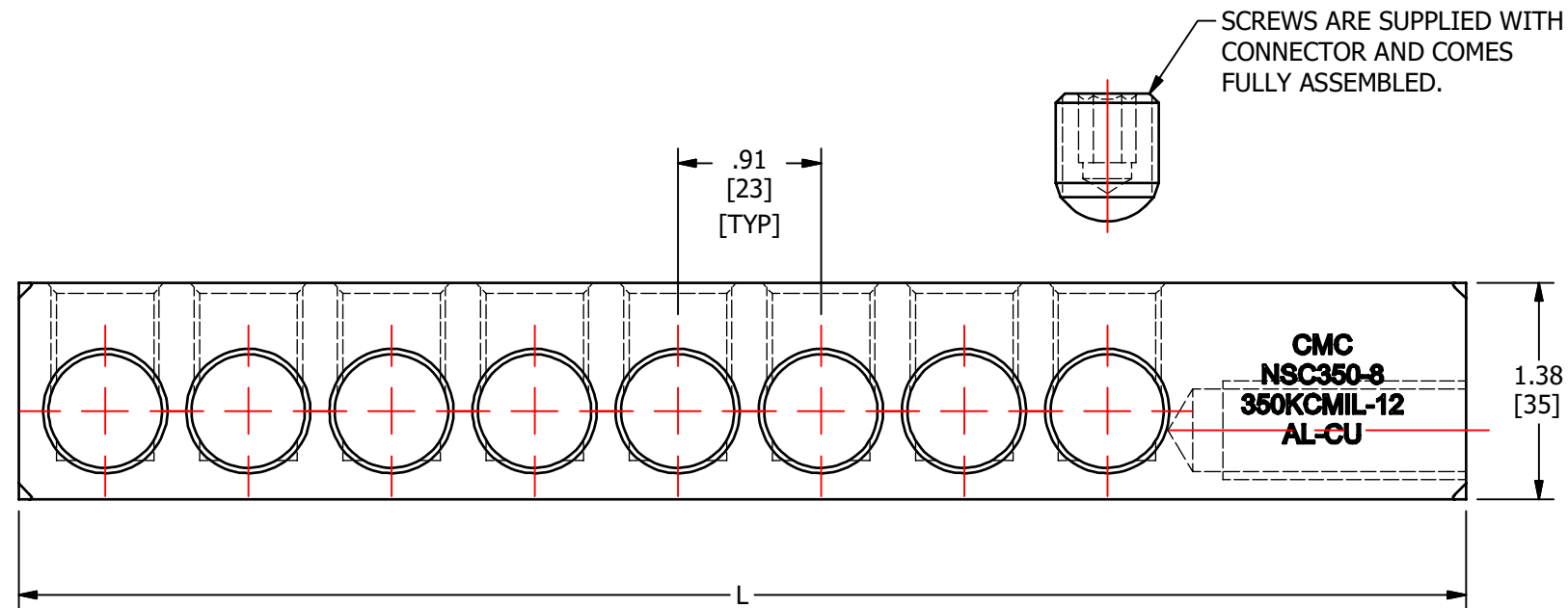
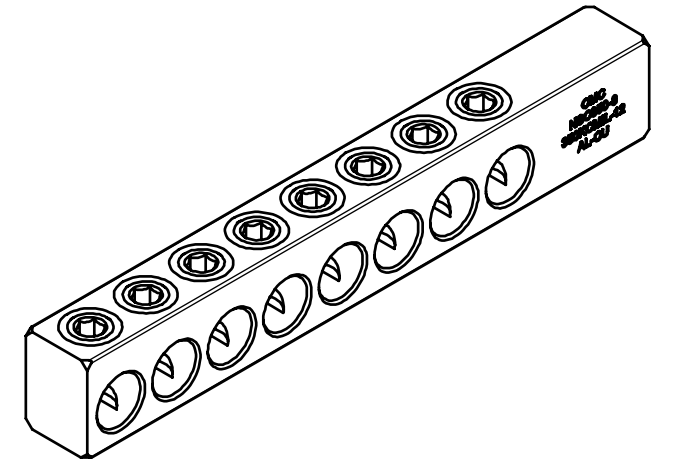
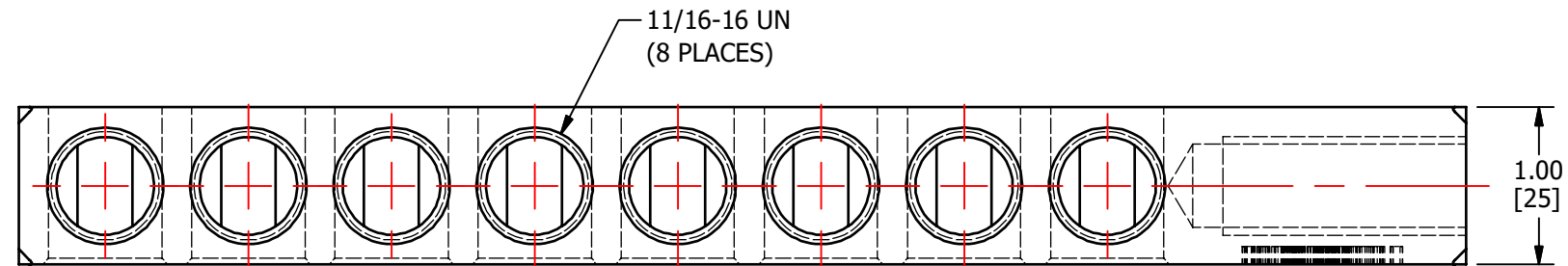
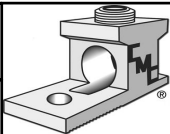


S.NO	CATALOG NUMBER	L	B
1	NSC350-2I	3.74 [95]	2
2	NSC350-2	3.74 [95]	2
3	NSC350-3I	4.65 [118]	3
4	NSC350-3	4.65 [118]	3
5	NSC350-4I	5.56 [141]	4
6	NSC350-4	5.56 [141]	4
7	NSC350-5I	6.47 [164]	5
8	NSC350-5	6.47 [164]	5
9	NSC350-6I	7.38 [187]	6
10	NSC350-6	7.38 [187]	6
11	NSC350-8I	9.20 [234]	8
12	NSC350-8	9.20 [234]	8



				DRAWN BY: TS 12/11/18		NAME OF PART: STUD MOUNT CONNECTOR		CAT. NO.: SEE TABLE	
				CHECKED BY:		DWG NO: C58700758C-S (CHARTED)		B	
A NEW DRAWING CREATED				12/11/18		TS		DRAWING NOT TO SCALE	
REV.	DESCRIPTION	ECN	DATE	INIT.	FOR PRODUCT INFO: <a href="http://www.cmclugs.com">http://www.cmclugs.com</a>		SHEET NO: 1 OF 1		

THIS INFORMATION IS PROPRIETARY TO CONNECTOR MFG. CO. AND IS NOT TO BE DISCLOSED OUTSIDE OF CONNECTOR MFG. CO. WITHOUT A CONFIDENTIALITY AGREEMENT



CONNECTOR MANUFACTURING CO.

HAMILTON, OHIO