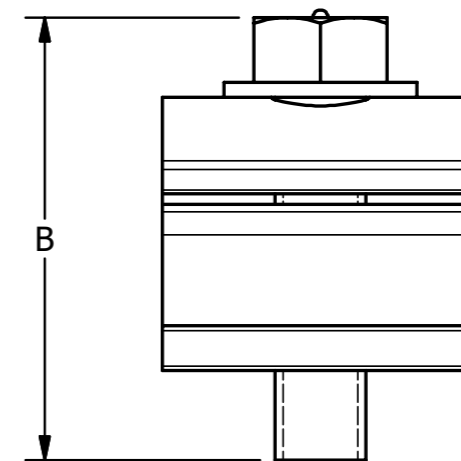
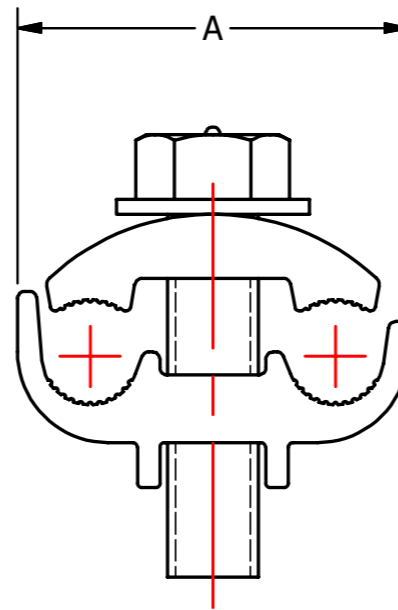
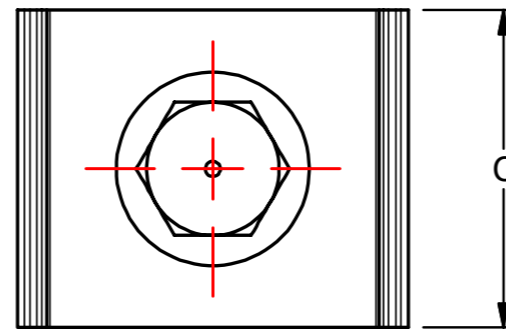
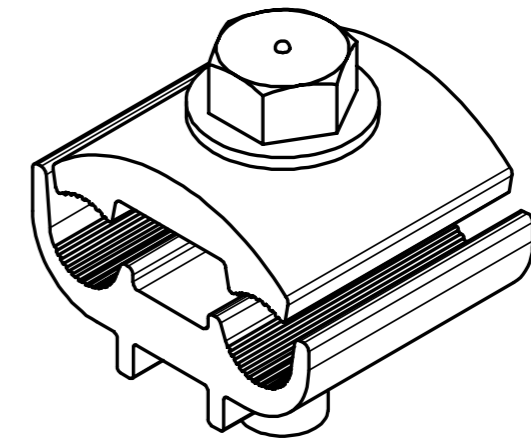


S.NO	CATALOG NUMBER	A	B	C	CONDUCTOR RANGE
1	APC1/0	1.62 [41]	1.83 [46]	1.31 [33]	1/0 ACSR - 6SOL
2	APC-2/0I	1.62 [41]	1.83 [46]	1.38 [35]	2/0 ACSR - 6SOL
3	APC-4/0	1.97 [50]	1.84 [47]	1.50 [38]	4/0 ACSR - 2SOL
4	APC4/0I	1.97 [50]	1.84 [47]	1.50 [38]	4/0 ACSR - 2SOL

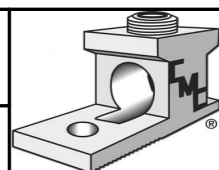


					TO ORDER CMC PRODUCTS CALL 1-513-860-4455	DRAWN BY: TS 11/08/18	NAME OF PART: PARALLEL CLAMP ASSEMBLY	CAT. NO.: SEE TABLE
					FOR PRODUCT INFO: http://www.cmclugs.com	CHECKED BY:	DWG NO: C58700832-S (CHARTED)	A
A	NEW DRAWING CREATED		11/08/18	TS		DRAWING NOT TO SCALE		SHEET NO: 1 OF 1
REV.	DESCRIPTION	ECN	DATE	INIT.				

THIS INFORMATION IS PROPRIETARY TO CONNECTOR MFG. CO. AND IS NOT TO BE DISCLOSED OUTSIDE OF CONNECTOR MFG. CO. WITHOUT A CONFIDENTIALITY AGREEMENT



CONNECTOR MANUFACTURING CO.



HAMILTON, OHIO