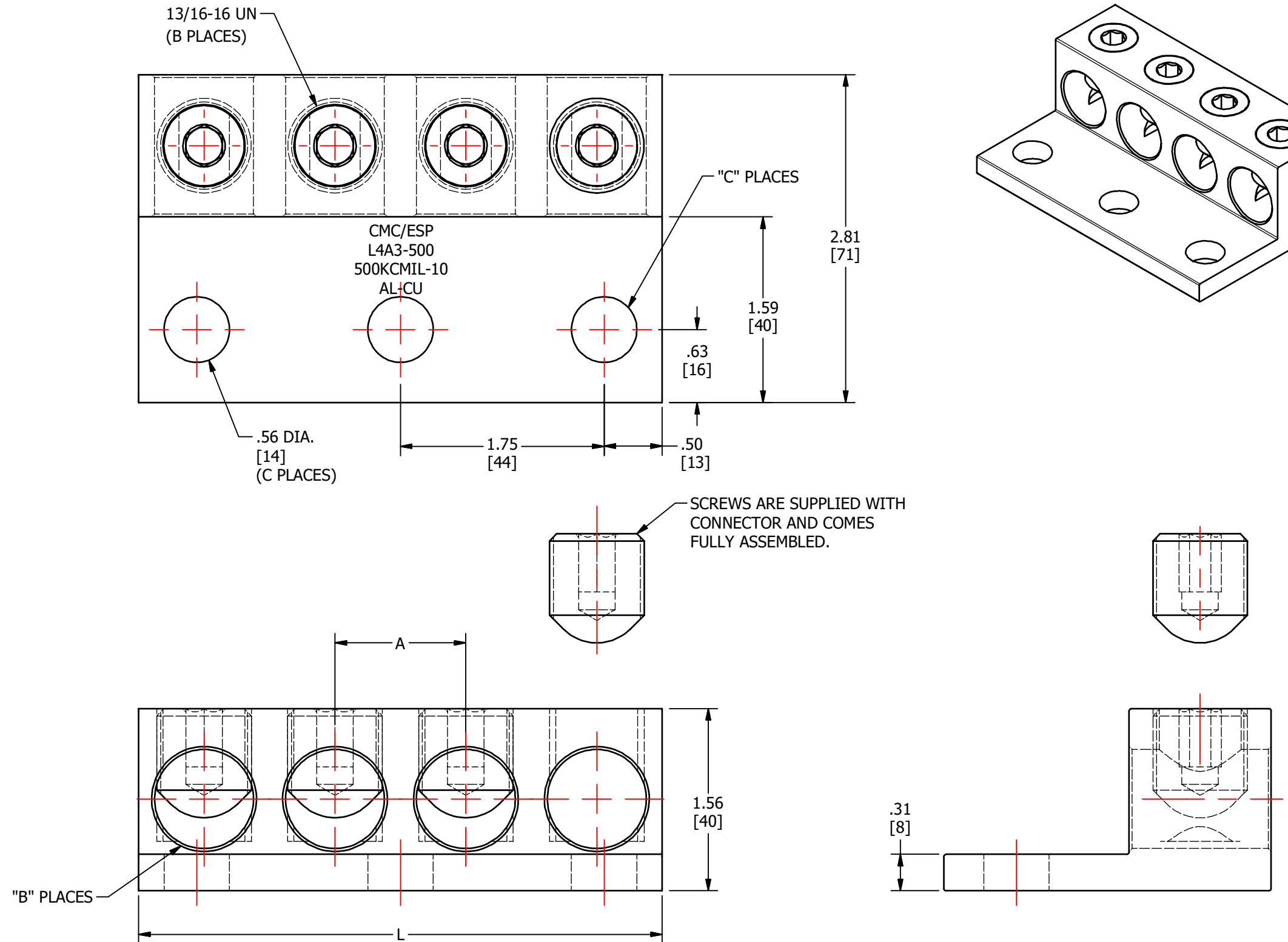


S.NO	CATALOG NUMBER	L	A	B	C
1	L2A2-500	2.75 [70]	1.50 [38]	2	2
2	L2A2-500I	2.75 [70]	1.50 [38]	2	2
3	L3A2-500	3.06 [78]	1.00 [25]	3	2
4	L3A2-500I	3.06 [78]	1.00 [25]	3	2
5	L4A3-500	4.50 [114]	1.13 [29]	4	3
6	L4A3-500I	4.50 [114]	1.13 [29]	4	3



				DRAWN BY: TS 01/07/19		NAME OF PART: TRANSFORMER CONNECTOR		CAT. NO.: SEE TABLE	
				CHECKED BY:		DWG NO.: C58700890-S (CHARTED)		B	
A NEW DRAWING CREATED				01/07/19		TS		DRAWING NOT TO SCALE	
REV.	DESCRIPTION	ECN	DATE	INIT.	SHEET NO: 1 OF 1				

THIS INFORMATION IS PROPRIETARY TO CONNECTOR MFG. CO. AND IS NOT TO BE DISCLOSED OUTSIDE OF CONNECTOR MFG. CO. WITHOUT A CONFIDENTIALITY AGREEMENT



CONNECTOR MANUFACTURING CO.

HAMILTON, OHIO