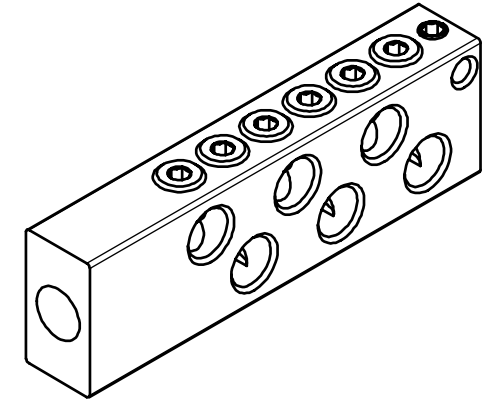
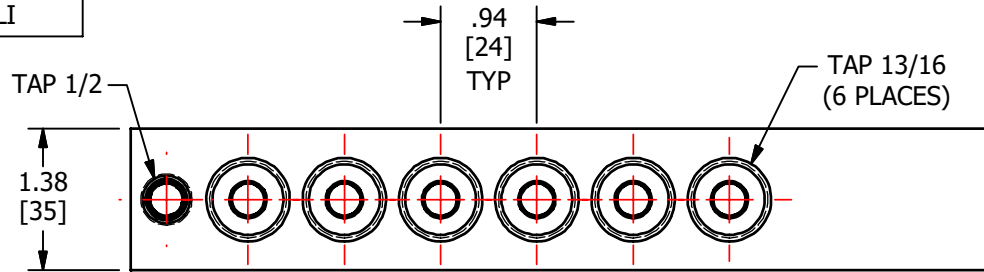
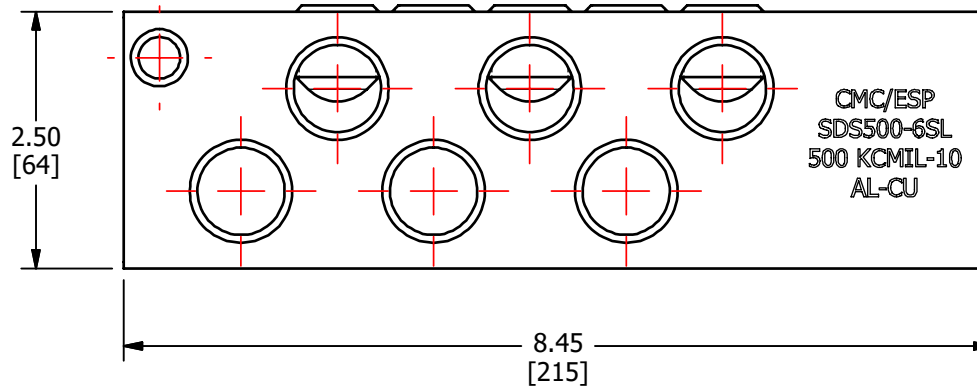
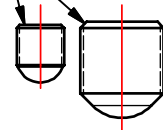


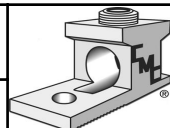
S.NO	CATALOG NUMBER
1	SDS500-6SL
2	SDS500-6SLI



SCREWS ARE SUPPLIED WITH CONNECTOR AND COMES FULLY ASSEMBLED.



FINISH: CLEAR PLATE  
MATERIAL: ALUMINUM

					TO ORDER CMC PRODUCTS	DRAWN BY: TS 02-17-20	NAME OF PART: STUD MOUNT CONNECTOR ASSEMBLY	CAT. NO.: SEE TABLE
					UNITED STATES 1-513-860-4455	CHECKED BY:	DWG NO: C58700924-S	A
					CANADA 1-800-361-6975	DRAWING NOT TO SCALE		SHEET NO: 1 OF 1
					MEXICO 011-52-722-265-4400			
A	NEW DRAWING CREATED		02-17-20	TS	FOR PRODUCT INFO www.cmlugs.com			HAMILTON, OHIO
REV.	DESCRIPTION	ECN	DATE	INIT.				

THIS INFORMATION IS PROPRIETARY TO CONNECTOR MFG. CO. AND IS NOT TO BE DISCLOSED OUTSIDE OF CONNECTOR MFG. CO. WITHOUT A CONFIDENTIALITY AGREEMENT



**CONNECTOR MANUFACTURING CO.**

HAMILTON, OHIO