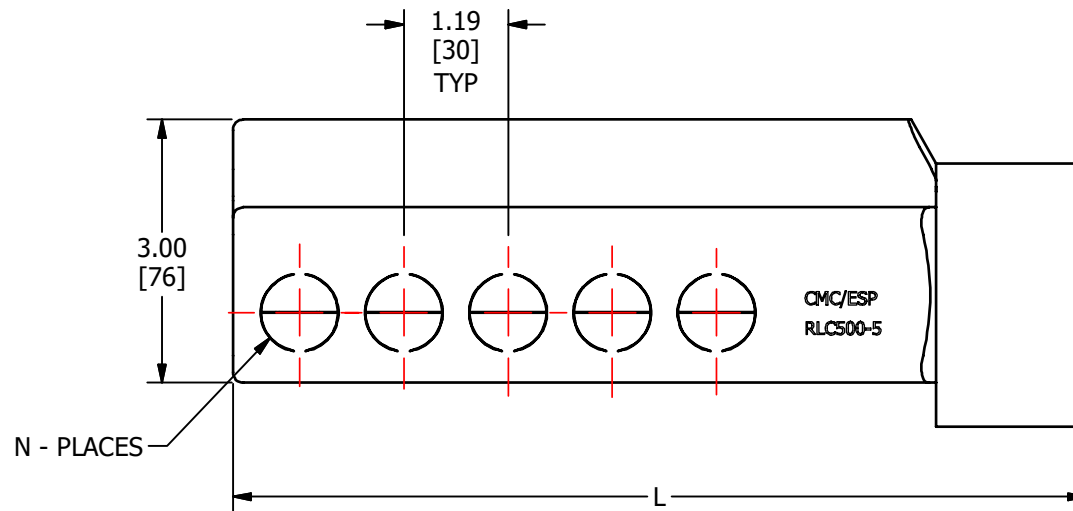
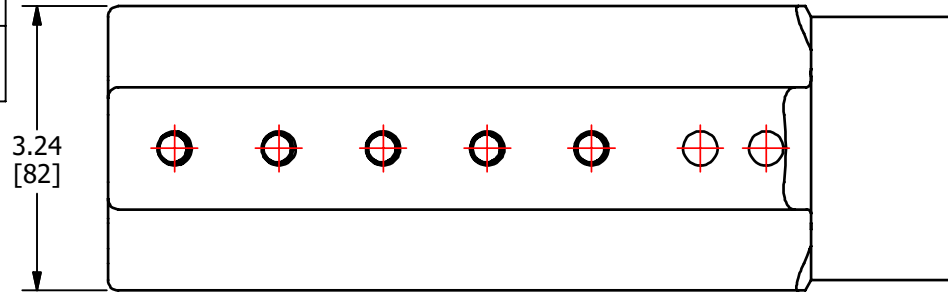
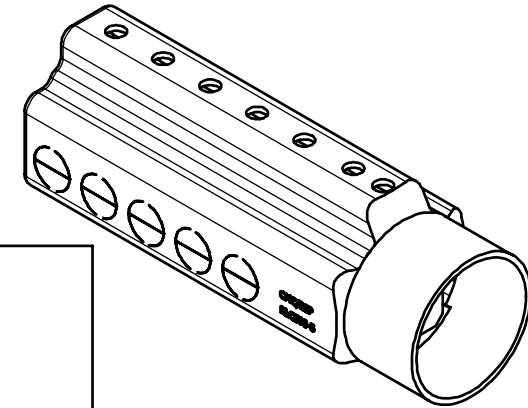
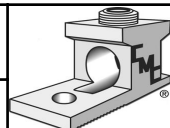


S.NO	CATALOG NUMBER	L	N
1	RLS500-4ASL	8.53 [217]	4
2	RLS500-4ASLI	8.53 [217]	4
3	RLS500-6ASL	11 [277]	6
4	RLS500-6ASLI	11 [277]	6



N - PLACES

FINISH: CLEAR PLATE  
MATERIAL: ALUMINUM  
CONDUCTOR RANGE: 500 KCMIL - #10 AWG

					TO ORDER CMC PRODUCTS	DRAWN BY: TS 02-28-20	NAME OF PART: STUD MOUNT TRASFORMER CONNECTORS ASSEMBLY	CAT. NO.: SEE TABLE
					UNITED STATES 1-513-860-4455	CHECKED BY:	DWG NO: C58700973-S (CHARTED)	A
					CANADA 1-800-361-6975	DRAWING NOT TO SCALE		SHEET NO: 1 OF 1
					MEXICO 011-52-722-265-4400			
A	NEW DRAWING CREATED		02-28-20	TS	FOR PRODUCT INFO www.cmlugs.com			
REV.	DESCRIPTION	ECN	DATE	INIT.				

THIS INFORMATION IS PROPRIETARY TO CONNECTOR MFG. CO. AND IS NOT TO BE DISCLOSED OUTSIDE OF CONNECTOR MFG. CO. WITHOUT A CONFIDENTIALITY AGREEMENT



**CONNECTOR MANUFACTURING CO.**

HAMILTON, OHIO