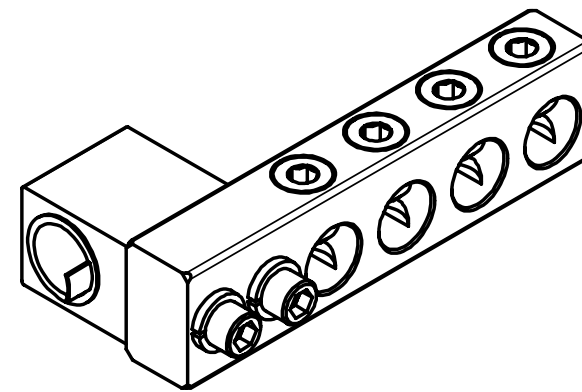
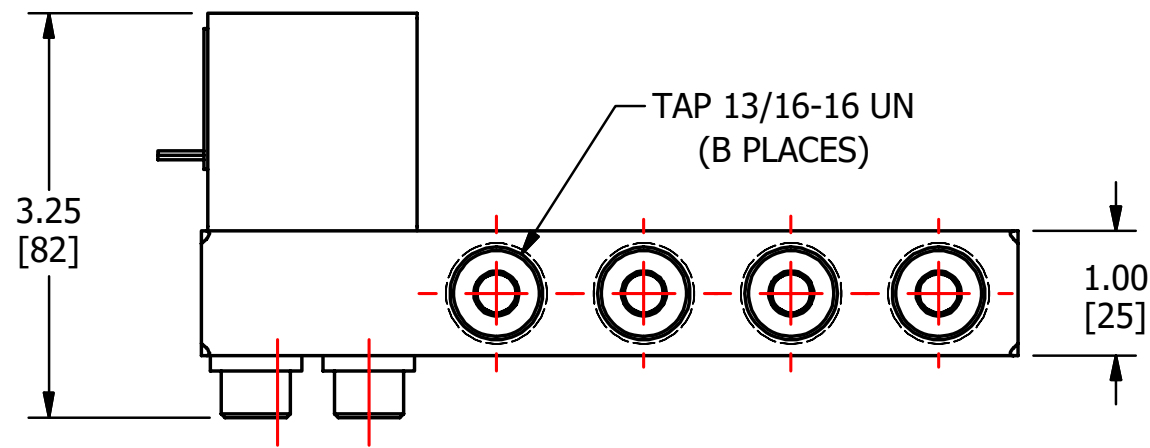
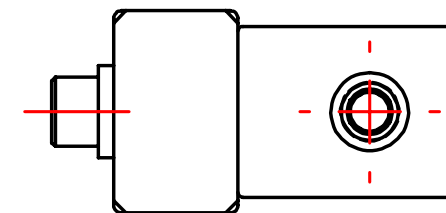
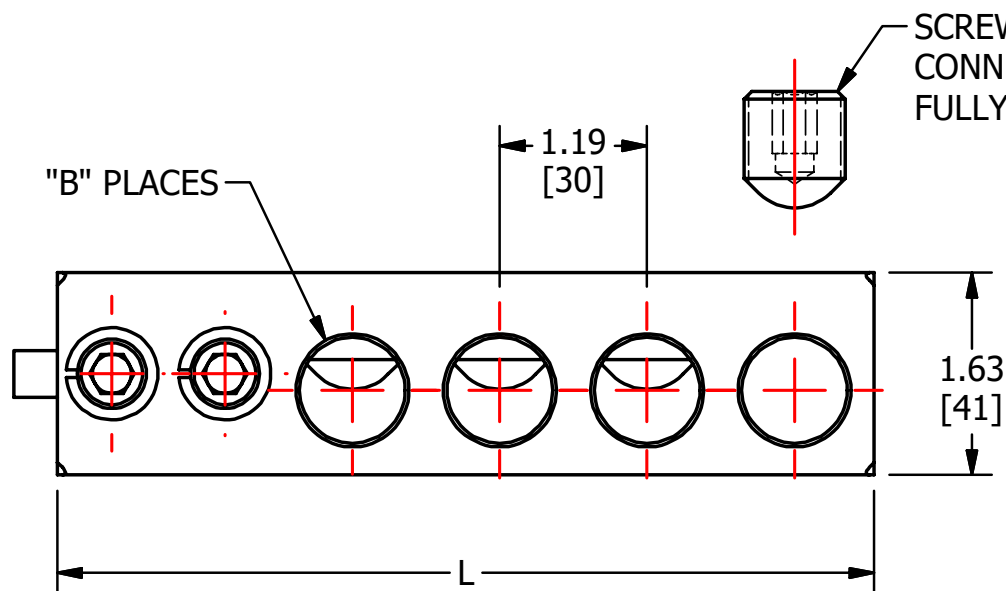


S.NO	CATALOG NUMBER	L	B
1	NSA500-4	6.58 [167]	4
2	NSA500-4	6.58 [167]	4
3	NSA500-6	8.95 [227]	6
4	NSA500-6	8.95 [227]	6
5	NSA500-8	11.32 [288]	8
6	NSA500-8	11.32 [288]	8



MARKING
 CMC/ESP
 NSA 500-8
 500KCMIL-10
 AL-CU

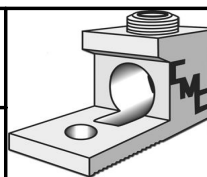


					TO ORDER CMC PRODUCTS CALL 1-513-860-4455	DRAWN BY: TS 12/12/18	NAME OF PART: PAD MOUNT CONNECTOR ASSEMBLY	CAT. NO.: SEE TABLE
					FOR PRODUCT INFO: http://www.cmclugs.com	CHECKED BY:	DWG NO: C58701001-S (CHARTED)	A
A	NEW DRAWING CREATED		12/12/18	TS		DRAWING NOT TO SCALE		SHEET NO: 1 OF 1
REV.	DESCRIPTION	ECN	DATE	INIT.				

THIS INFORMATION IS PROPRIETARY TO CONNECTOR MFG. CO. AND IS NOT TO BE DISCLOSED OUTSIDE OF CONNECTOR MFG. CO. WITHOUT A CONFIDENTIALITY AGREEMENT



CONNECTOR MANUFACTURING CO.



HAMILTON, OHIO